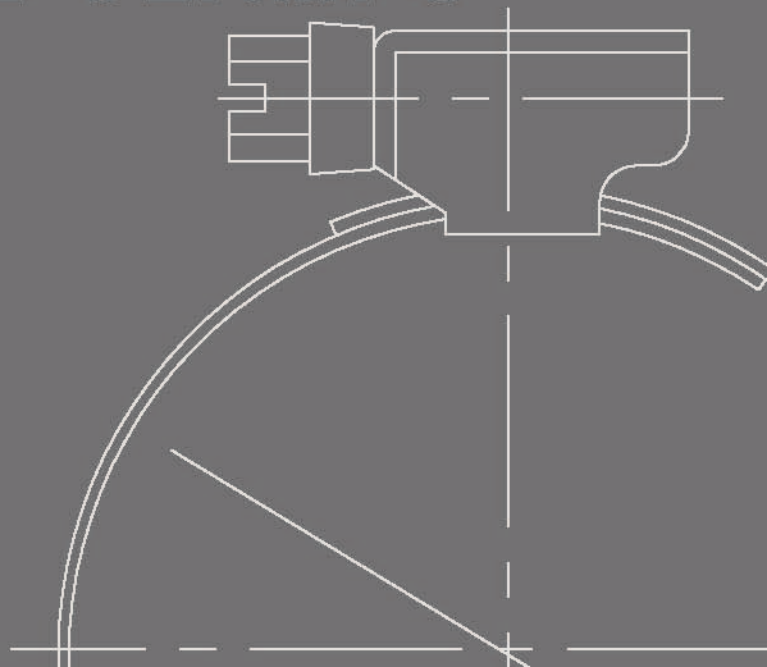
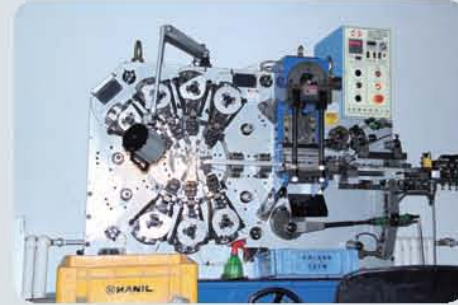


# JIMKÖÖ®

## HOSE CLAMPS





**Stepless 1-Ear clamp** has no steps or gaps on their inner circumference, which gives optimum seal and roundness.

The smooth edges can protect the hose and the part being damaged. Their weight is light, and tampering is visible.

### 706R Series

Band Width 7mm

Band Thickness 0.6mm

### 505R Series

Band Width 5mm

Band Thickness 0.5mm



Part No.	Dimension mm
6.5-505R	5.5 - 6.5
7.0-505R	5.8 - 7.0
8.0-505R	6.8 - 8.0
8.7-505R	7.0 - 8.7
9.0-505R	7.3 - 9.0
9.5-505R	7.8 - 9.5
10.0-505R	8.3 - 10.0
10.5-505R	8.8 - 10.5
10.9-505R	9.2 - 10.9
11.3-505R	9.6 - 11.3
11.8-505R	10.1 - 11.8

Part No.	Dimension mm
11.9-706R	9.4 - 11.9
12.3-706R	9.8 - 12.3
12.8-706R	10.3 - 12.8
13.3-706R	10.8 - 13.3
13.8-706R	11.3 - 13.8
14.0-706R	11.5 - 14.0
14.5-706R	12.0 - 14.5
14.8-706R	12.3 - 14.8
15.3-706R	12.8 - 15.3
15.7-706R	13.2 - 15.7
16.2-706R	13.7 - 16.2
16.6-706R	14.1 - 16.6
16.8-706R	14.3 - 16.8
17.0-706R	14.5 - 17.0
17.5-706R	15.0 - 17.5
17.8-706R	14.6 - 17.8
18.0-706R	14.8 - 18.0
18.5-706R	15.3 - 18.5
19.2-706R	16.0 - 19.2
19.8-706R	16.6 - 19.8
21.0-706R	17.8 - 21.0
22.6-706R	19.4 - 22.6
23.5-706R	20.3 - 23.5
24.1-706R	20.9 - 24.1
25.6-706R	22.4 - 25.6
27.1-706R	23.9 - 27.1
28.6-706R	25.4 - 28.6
30.1-706R	26.9 - 30.1
30.8-706R	27.6 - 30.8
31.6-706R	28.4 - 31.6

Part No.	Dimension mm
33.1-706R	29.9 - 33.1
34.6-706R	31.4 - 34.6
36.1-706R	32.9 - 36.1
37.6-706R	34.4 - 37.6
38.1-706R	34.9 - 38.1
39.6-706R	36.4 - 39.6
41.0-706R	37.8 - 41.0
42.5-706R	39.3 - 42.5
44.0-706R	40.8 - 44.0
45.5-706R	42.3 - 45.5
47.0-706R	43.8 - 47.0
48.5-706R	45.3 - 48.5
50.0-706R	46.8 - 50.0
51.5-706R	48.3 - 51.5
53.0-706R	49.8 - 53.0
54.5-706R	51.3 - 54.5
56.0-706R	52.8 - 56.0
57.5-706R	54.3 - 57.5
59.0-706R	56.8 - 59.0
60.5-706R	57.3 - 60.5
62.0-706R	58.8 - 62.0
63.5-706R	60.3 - 63.5
65.0-706R	61.8 - 65.0
66.5-706R	63.3 - 66.5
68.0-706R	64.8 - 68.0
69.5-706R	66.3 - 69.5
71.0-706R	67.8 - 71.0
72.5-706R	69.3 - 72.5
74.0-706R	70.8 - 74.0
75.5-706R	72.3 - 75.5

Part No.	Dimension mm
77.0-706R	73.8 - 77.0
78.5-706R	75.3 - 78.5
80.0-706R	76.8 - 80.0
81.5-706R	78.3 - 81.5
83.0-706R	79.8 - 83.0
84.5-706R	81.3 - 84.5
86.0-706R	82.8 - 86.0
87.5-706R	84.3 - 87.5
89.0-706R	85.8 - 89.0
90.5-706R	87.3 - 90.5
92.0-706R	88.8 - 92.0
93.5-706R	90.3 - 93.5
95.0-706R	91.8 - 95.0
96.5-706R	93.3 - 96.5
98.0-706R	94.8 - 98.0
99.5-706R	96.3 - 99.5
101.0-706R	97.8 - 101.0
102.5-706R	99.3 - 102.5
104.0-706R	100.8 - 104.0
105.5-706R	102.3 - 105.5
107.0-706R	103.8 - 107.0
108.5-706R	105.3 - 108.5
110.0-706R	106.8 - 110.0
111.5-706R	108.3 - 111.5
113.0-706R	109.8 - 113.0
114.5-706R	111.3 - 114.5
116.0-706R	112.8 - 116.0
117.5-706R	114.3 - 117.5
119.0-706R	115.8 - 119.0
120.5-706R	117.3 - 120.5

### Material:

Stainless Steel DIN 1.4301  
AISI304



Please visit our website: [www.tjclamp.com](http://www.tjclamp.com)



## 1-Ear Adjustable Clamps



A Series

Part No.	Description	Band Width	Band Thickness
<b>Material: Stainless Steel SS304 W4</b>			
A1	25.0 - 45.0	7.0	0.6
A2	60.0 - 120.0	7.0	0.6
B1	20.0 - 45.0	6.3	0.5
B2	20.0 - 45.0	8.0	0.6
B3	45.0 - 120.0	8.0	0.6
C1	25.0 - 50.0	7.0	0.6
C2	40.0 - 110.0	7.0	0.6



B Series



C Series

D30	23.6 - 30.0	7.0	0.6
D32	25.6 - 32.0	7.0	0.6
D35	28.6 - 35.0	7.0	0.6
D37	30.6 - 37.0	7.0	0.6
D40	33.6 - 40.0	7.0	0.6
D45	38.6 - 45.0	7.0	0.6
D50	43.6 - 50.0	7.0	0.6
D56	47.5 - 56.0	7.0	0.6
D62	53.5 - 62.0	7.0	0.6
D68	59.5 - 68.0	7.0	0.6
D74	65.5 - 74.0	7.0	0.6
D80	71.5 - 80.0	7.0	0.6
D86	77.5 - 86.0	7.0	0.6
D92	83.5 - 92.0	7.0	0.6
D94	85.5 - 94.0	7.0	0.6
D98	89.5 - 98.0	7.0	0.6
D104	95.5 - 104.0	7.0	0.6
D107	98.5 - 107.0	7.0	0.6
D110	101.5 - 110.0	7.0	0.6
D116	107.5 - 116.0	7.0	0.6



D Series



PEX Stainless Steel Crimp Ring

PEX Tube Size	Part No.	Description	Band Width	Band Thickness
<b>Material: Stainless Steel AISI 304</b>				
		<b>mm</b>	<b>mm</b>	<b>mm</b>
3/8"	P13.3-706R	10.8 - 13.3	7	0.6
1/2"	P17.5-708R	14.3 - 17.5	7	0.8
5/8"	P20.6-908R	17.4 - 20.6	9	0.8
3/4"	P23.3-1008R	20.1 - 23.3	9	0.8
1"	P29.6-1010R	26.4 - 29.6	10	1.0

## PEX Tools



1096-Crimp Tool For Crimp Ring



1096L-Long Handle Crimp Tool For Crimp Ring



2096-one-hand Clamp Tool



N1510-1/2" or 3/4" PEX Crimping Tool



N1510-1" PEX Crimping Tool



N1511-1/2" and 3/4" COMBO PEX Crimping Tool



1530-Angled Head Compact Crimp Tool



1300 - Crimp Ring Remover



N1100-Multi-head PEX Crimping Tool Kit

Conform to ASTM F2098 Specifications



1098-Standard Jaw Pincers



1099-Side Jaw Pincers



1097-Pincers Narrow Width Retaining Plate



1096-Heavy Duty Pincers



1090-Pneumatic Pincers

Please visit our website: [www.tjclamp.com](http://www.tjclamp.com)

Please visit our website: [www.tjclamp.com](http://www.tjclamp.com)



5mm



9mm



12mm

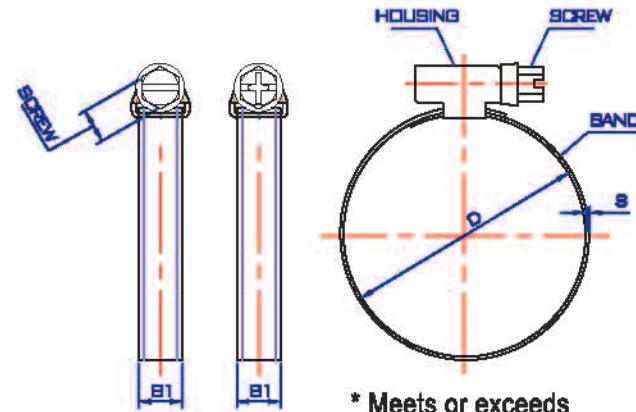


14mm

Germany Type hose clamps are widely used in many industries.

Non-perforated clamp design provides optimal hose protection. For better free torque and smooth twist, the screws are all zinc plated.

It is available in 5mm, 9mm, 12mm and 14mm band width for a wide range of materials.



\* Meets or exceeds DIN 3017 standard

B1	Material	S	Screw
5mm	W2	0.45	6
9mm	W1	0.8	7
9mm	W2	0.7	7
9mm	W4, W5	0.7	7
12mm	W1	0.8	7
12mm	W2	0.7	7
12mm	W4, W5	0.7	7
14mm	W1	0.8	7
14mm	W2	0.6	7
14mm	W4, W5	0.6	7

Phillips head is used on W1 & W2. Slotted head screw is used on W4 & W5.

Material	UK BS	Europe EN	France AFNOR	Germany DIN	Russia GOST
W1	Zinc Plated Steel	Zinc Plated Steel	Zinc Plated Steel	Zinc Plated Steel	Zinc Plated Steel
W2	Band, Hosing: SS430 Screw: Zinc Plated Steel	X6Cr17	Z8 C17	1.4016	12Ch17
W4	SS304 or SS301	X5CrNi1810	Z7 CN18-09	1.4301	8Ch18Ni10
W5	SS316	X5CrNiMo17122	Z7 CND17-12-02	1.4401	10Ch17N13M2T

Please visit our website: [www.tjclamp.com](http://www.tjclamp.com)

### Mini 5mm Series

Dimen-sion	Thick-ness	Part No.	Dimen-sion	Thick-ness	Part No.	Material
6-10	0.45	G0510	10-16	0.45	G0516	W2-201
7-11	0.45	G0511	11-17	0.45	G0517	W2-201
8-12	0.45	G0512	12-18	0.45	G0518	W2-201
9-13	0.45	G0513	13-19	0.45	G0519	W2-201

### Installation Torque

Material	9mm Nm	12mm Nm
W1	3.0-3.4	3.0-3.4
W2	3.0-3.4	4.0-4.5
W4 & W5	4.0-4.9	4.0-4.9

Dimension	9mm Band Width Part No.	Qty/Ctn.	12mm Band Width Part No.	Qty/Ctn.	14mm Band Width Part No.	Qty/Ctn.
8-12	G0912	1000	N/A	N/A		
10-16	G0916	1000				
12-20	G0920	1000	G1220	1000	N/A	N/A
12-22	G0922	1000	G1222	1000		
16-25	G0925	1000	G1225	1000	G1425	1000
16-27	G0927	1000	G1227	1000	G1427	1000
20-32	G0932	1000	G1232	1000	G1432	1000
23-35	G0935	1000	G1235	1000	G1435	1000
25-40	G0940	1000	G1240	500	G1440	500
30-45	G0945	1000	G1245	500	G1445	500
32-50	G0950	500	G1250	500	G1420	500
40-60	G0960	500	G1260	500	G1460	500
50-70	G0970	500	G1270	500	G1470	500
60-80	G0980	500	G1280	250	G1480	250
70-90	G0990	500	G1290	250	G1490	250
80-100	G09100	250	G12100	250	G14100	250
90-110	G09110	250	G12110	250	G14110	250
100-120	G09120	250	G12120	250	G14120	250
110-130	G09130	250	G12130	200	G14130	200
120-140	G09140	250	G12140	200	G14140	200
130-150	G09150	250	G12150	200	G14150	200
140-160	G09160	200	G12160	200	G14160	200
150-170	G09170	200	G12170	200	G14170	200
160-180	G09180	200	G12180	100	G14180	100
170-190	G09190	200	G12190	100	G14190	100
180-200	G09200	200	G12200	50	G14200	50
190-210	G09210	200	G12210	50	G14210	50
200-220	G09220	200	G12220	50	G14220	50

Additional sizes and designs available-Contact Jimkoo for information.



Germany type hose clamp with British housing

Please visit our website: [www.tjclamp.com](http://www.tjclamp.com)



Germany Type Bridge Clamp

Part No.	Dimension	Band Width	Part No.	Dimension	Band Width	Thick-ness	Material
GB0955	35-55	9mm	GB12100	80-100	12mm	0.6	W2-SS430 W4-SS304
GB0960	40-60	9mm	GB12110	90-110	12mm	0.6	W2-SS430 W4-SS304
GB0970	50-70	9mm	GB12120	100-120	12mm	0.6	W2-SS430 W4-SS304
GB0980	60-80	9mm	GB12130	110-130	12mm	0.6	W2-SS430 W4-SS304
GB0990	70-90	9mm	GB12140	120-140	12mm	0.6	W2-SS430 W4-SS304
GB09100	80-100	9mm	GB12150	130-150	12mm	0.6	W2-SS430 W4-SS304
GB09110	90-110	9mm	GB12160	140-160	12mm	0.6	W2-SS430 W4-SS304
GB09120	100-120	9mm	GB12170	150-170	12mm	0.6	W2-SS430 W4-SS304
GB09130	110-130	9mm	GB12180	160-180	12mm	0.6	W2-SS430 W4-SS304
GB09140	120-140	9mm	GB12190	170-190	12mm	0.6	W2-SS430 W4-SS304
GB09150	130-150	9mm	GB12200	180-200	12mm	0.6	W2-SS430 W4-SS304
GB09160	140-160	9mm	GB12210	190-210	12mm	0.6	W2-SS430 W4-SS304
GB09170	150-170	9mm	GB12220	200-220	12mm	0.6	W2-SS430 W4-SS304
GB09180	160-180	9mm	GB12230	210-230	12mm	0.6	W2-SS430 W4-SS304
GB09190	170-190	9mm	GB12240	220-240	12mm	0.6	W2-SS430 W4-SS304
GB09200	180-200	9mm	GB12250	230-250	12mm	0.6	W2-SS430 W4-SS304
			GB12260	240-260	12mm	0.6	W2-SS430 W4-SS304
			GB12270	250-270	12mm	0.6	W2-SS430 W4-SS304
			GB12280	260-280	12mm	0.6	W2-SS430 W4-SS304
			GB12290	270-290	12mm	0.6	W2-SS430 W4-SS304
			GB12300	280-300	12mm	0.6	W2-SS430 W4-SS304



Solid Germany Type Hose Clamps are designed to provide heavy torque and high strength.

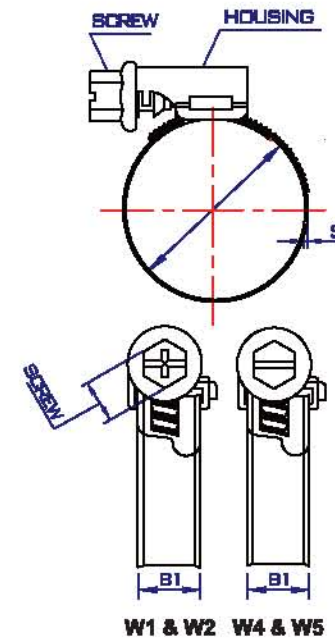
Inside of the band is non-perforated to protect the hose from any damages.

It has heavy torque and various material could be selected.

Material	9mm Installation Torque Nm	12mm Installation Torque Nm
W1	3.0~3.4	7.5
W2	3.4~4.5	7.5
W4 & W5	3.0~3.4	6.0~6.4

B1	Material	S	Screw
9mm	W1	0.8	7
9mm	W2	0.7	7
9mm	W4, W5	0.7	7
12mm	W1	0.8	7
12mm	W2	0.7	7
12mm	W4, W5	0.7	7

Phillips head is used on W1 & W2. Slotted head screw is used on W4 & W5.



W1 & W2 W4 & W5

Additional sizes and designs available - Contact Jimkoo for information.



Germany Lock Type

Dimension	9mm Band Width Part No.	Qty/Ctn.	12mm Band Width Part No.	Qty/Ctn.
8-12	5/16 - 1/2	GP0912	1000	
10-16	3/8 - 5/8	GP0916	1000	
12-20	1/2 - 3/4	GP0920	1000	N/A
12-22	1/2 - 7/8	GP0922	1000	N/A
16-25	5/8 - 1	GP0925	1000	
16-27	5/16 - 11/16	GP0927	1000	GP1227 1000
20-32	3/4 - 1 1/4	GP0932	1000	GP1232 1000
23-35	7/8 - 13/8	GP0935	1000	GP1235 1000
25-40	1 - 15/8	GP0940	1000	GP1240 500
30-45	1 3/16 - 1 3/4	GP0945	1000	GP1245 500
32-50	1 1/4 - 2	GP0950	500	GP1250 500
40-60	1 5/8 - 2 3/8	GP0960	500	GP1260 500
50-70	2 - 2 3/4	GP0970	500	GP1270 500
60-80	2 3/8 - 3 1/8	GP0980	500	GP1280 250
70-90	2 3/4 - 3 1/2	GP0990	500	GP1290 250
80-100	3 1/8 - 4	GP09100	250	GP12100 250
90-110	3 1/2 - 4 3/8	GP09110	250	GP12110 250
100-120	4 - 4 3/4	GP09120	250	GP12120 250
110-130	4 3/8 - 5 1/8	GP09130	250	GP12130 200
120-140	4 3/4 - 5 1/2	GP09140	250	GP12140 200
130-150	5 1/8 - 5 7/8	GP09150	250	GP12150 200
140-160	5 1/2 - 6 1/4	GP09160	200	GP12160 200
150-170	5.91" - 6.69"	GP09170	200	GP12170 200
160-180	6.30" - 7.09"	GP09180	200	GP12180 100
170-190	6.69" - 7.48"	GP09190	200	GP12190 100
180-200	7.09" - 7.87"	GP09200	200	GP12200 50
190-210	7.48" - 8.27"	GP09210	200	GP12210 50
200-220	7.87" - 8.66"	GP09220	200	GP12220 50

Dimension	Material	Band Width	Part No.	Band Width	Part No.	Wire Dia.
DN 32	30-35	W4-304	9mm	GDK0932	12mm	GDK1232 2.0
DN 38	35-40	W4-304	9mm	GDK0938	12mm	GDK1238 2.0
DN 40	38-43	W4-304	9mm	GDK0940	12mm	GDK1240 2.0
DN 50	45-50	W4-304	9mm	GDK0950	12mm	GDK1250 2.0
DN 60	50-60	W4-304	9mm	GDK0960	12mm	GDK1260 2.0
DN 65	55-65	W4-304	9mm	GDK0965	12mm	GDK1265 2.0
DN 70	60-70	W4-304	9mm	GDK0970	12mm	GDK1270 2.0
DN 75	65-75	W4-304	9mm	GDK0975	12mm	GDK1275 2.0
DN 80	70-80	W4-304	9mm	GDK0980	12mm	GDK1280 2.0
DN 90	80-90	W4-304	9mm	GDK0990	12mm	GDK1290 2.0
DN 100	90-100	W4-304	9mm	GDK09100	12mm	GDK12100 2.0
DN 110	100-110	W4-304	9mm	GDK09110	12mm	GDK12110 2.0
DN 115	105-115	W4-304	9mm	GDK09115	12mm	GDK12115 2.0
DN 120	110-120	W4-304	9mm	GDK09120	12mm	GDK12120 2.0
DN 125	115-125	W4-304	9mm	GDK09125	12mm	GDK12125 2.0
DN 130	120-130	W4-304	9mm	GDK09130	12mm	GDK12130 2.0
DN 140	130-140	W4-304	9mm	GDK09140	12mm	GDK12140 2.0
DN 150	140-150	W4-304	9mm	GDK09150	12mm	GDK12150 2.0
DN 160	150-160	W4-304	9mm	GDK09160	12mm	GDK12160 2.0
DN 175	165-175	W4-304	9mm	GDK09175	12mm	GDK12175 2.0
DN 180	170-180	W4-304	9mm	GDK09180	12mm	GDK12180 2.0
DN 200	190-200	W4-304	9mm	GDK09200	12mm	GDK12200 2.0
DN 225	215-225	W4-304	9mm	GDK09225	12mm	GDK12225 2.0
DN 250	240-250	W4-304	9mm	GDK09250	12mm	GDK12250 2.0
DN 275	265-275	W4-304	9mm	GDK09275	12mm	GDK12275 2.0
DN 300	290-300	W4-304	9mm	GDK09300	12mm	GDK12300 2.0



Germany Type Double Wire Clamp



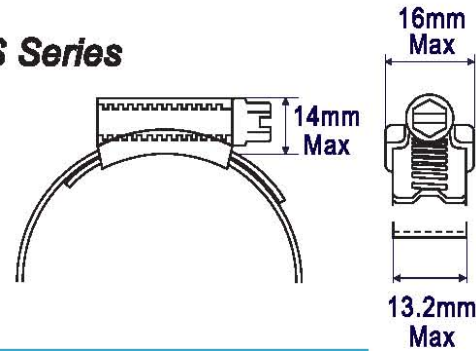
**British Type Hose Clamps** are based on BS5315 specification, which assure high free torque and final torque.

The strong material allows the use of thinner band (compared to Germany Type), and giving band flexibility which readily conforms to the shape of the hose.

### Material

W1-- All parts Zinc Plated Steel;  
W4-- All parts Stainless Steel

### BS Series



SIZE	Part No.	Dimension	Band Width	Box Packing	Qty/Ctn
000	BS12	9.5-12	3/8"-1/2"	9mm	10pcs./box. 1000
MOO	BS16	11-16	1/2"-5/8"	9mm	10pcs./box. 1000
000	BS20	13-20	1/2"-3/4"	9mm	10pcs./box. 1000
000	BS22	16-22	5/8"-7/8"	13mm	10pcs./box. 1000
OX	BS25	18-25	3/4"-1"	13mm	10pcs./box. 1000
1A	BS30	22-30	7/8"-1 1/8"	13mm	10pcs./box. 500
1	BS35	25-35	1"-1 3/8"	13mm	10pcs./box. 500
1X	BS40	30-40	1 1/8"-1 5/8"	13mm	10pcs./box. 500
1M	BS45	32-45	1 1/4"-1 3/4"	13mm	10pcs./box. 500
2A	BS50	35-50	1 3/8"-2"	13mm	10pcs./box. 500
2	BS55	40-55	1 5/8"-2 1/8"	13mm	10pcs./box. 500
2X	BS60	45-60	1 3/4"-2 3/8"	13mm	10pcs./box. 500
3	BS70	55-70	2 1/8"-2 3/4"	13mm	10pcs./box. 500
3X	BS80	60-80	2 3/8"-3 1/8"	13mm	polybag packing 500
4	BS90	70-90	2 3/4"-3 1/2"	13mm	polybag packing 250
4X	BS100	85-100	3 1/4"-4"	13mm	polybag packing 250
5	BS120	90-120	3 1/2"-4 3/4"	13mm	polybag packing 250
6	BS140	110-140	4 3/8"-5 1/2"	13mm	polybag packing 250
6X	BS150	120-150	4 3/4"-5 7/8"	13mm	polybag packing 250
7	BS165	135-165	5 1/4"-6 1/2"	13mm	polybag packing 250
7.5	BS190	158-190	6 1/4"-7 1/2"	13mm	polybag packing 250
8.5	BS216	184-216	7 1/4"-8 1/2"	13mm	polybag packing 100
9.5	BS242	210-242	8 1/4"-9 1/2"	13mm	polybag packing 100
10.5	BS267	235-267	9 1/4"-10 1/2"	13mm	polybag packing 100
11.5	BS292	260-292	10 1/4"-11 1/2"	13mm	polybag packing 100
12.5	BS318	286-318	11 1/4"-12 1/2"	13mm	polybag packing 100

Please visit our website: [www.tjclamp.com](http://www.tjclamp.com)

### BH Series



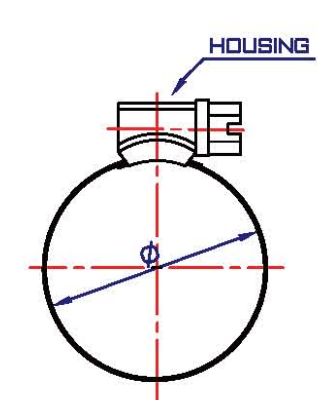
Hooking Type



### BR Series



Riveting Type



### BW Series



Welding Type

Band Width	Part No.	Dimension
9.7mm	BH14	8-14
9.7mm	BH17	11-17
9.7mm	BH20	13-20
11.7mm	BH24	15-24
11.7mm	BH28	19-28
11.7mm	BH32	22-32
11.7mm	BH38	26-38
11.7mm	BH44	32-44
11.7mm	BH50	38-50
11.7mm	BH56	44-56
11.7mm	BH65	50-65
11.7mm	BH75	58-75
11.7mm	BH85	68-85
11.7mm	BH95	77-95
11.7mm	BH112	87-112
11.7mm	BH138	104-138
11.7mm	BH165	130-165
11.7mm	BH180	150-180
11.7mm	BH205	175-205
11.7mm	BH231	200-231
11.7mm	BH256	226-256
11.7mm	BH282	251-282
11.7mm	BH307	277-307

Band Width	Part No.	Dimension
9.7mm	BR12	9.5-12
9.7mm	BR16	11-16
9.7mm	BR20	13-20
11.7mm	BR22	16-22
11.7mm	BR25	18-25
11.7mm	BR30	22-30
11.7mm	BR35	25-35
11.7mm	BR40	27-40
11.7mm	BR50	35-50
11.7mm	BR55	40-55
11.7mm	BR60	45-60
11.7mm	BR70	55-70
11.7mm	BR80	60-80
11.7mm	BR90	70-90
11.7mm	BR100	85-100
11.7mm	BR120	90-120
11.7mm	BR140	120-140
11.7mm	BR160	140-160
11.7mm	BR180	160-180

Band Width	Part No.	Dimension
9.7mm	BW16	10-16
9.7mm	BW19	13-19
9.7mm	BW25	16-25
9.7mm	BW29	19-29
11.7mm	BW32	22-32
11.7mm	BW38	25-38
11.7mm	BW44	32-44
11.7mm	BW51	35-51
11.7mm	BW57	38-57
11.7mm	BW64	44-64
11.7mm	BW70	51-70
11.7mm	BW76	64-76
11.7mm	BW89	70-89
11.7mm	BW92	76-92
11.7mm	BW100	80-100
11.7mm	BW110	90-110
11.7mm	BW120	100-120
11.7mm	BW130	110-130
11.7mm	BW140	120-140
11.7mm	BW150	130-150
11.7mm	BW160	140-160
11.7mm	BW170	150-170
11.7mm	BW180	160-180
11.7mm	BW190	170-190
11.7mm	BW200	180-200
11.7mm	BW210	190-210
11.7mm	BW220	200-220

### Material

W1-- All parts Zinc Plated Steel;

W4-- All parts Stainless Steel



Please visit our website: [www.tjclamp.com](http://www.tjclamp.com)



**A08**

American Type hose clamps are made from perforated strip with high tensile strength.



**A10**



**A13**



**A14**



**American Hose Clamps with Liner**

Series	Band Width Inch	Screw Size Inch
A08 Series	5/16"	1/4"
A10 Series	0.395"	0.27"
A13 Series	1/2"	5/16"

**A08 Series**

SAE Size	Part No.	Dimension mm	Dimension Inch	Qty/Ctn
4	A0804	6-16	1/4"-5/8"	2500
5	A0805	7-17	1/4"- 11/16"	2500
6	A0806	8-22	5/16"- 7/8"	2500
8	A0808	10-25	3/8"- 1"	1000
10	A0810	10-27	3/8"- 1 1/16"	1000
12	A0812	13-32	1/2"- 1 1/4"	1000
16	A0816	13-38	1/2"- 1 1/2"	1000
20	A0820	19-44	3/4"- 1 3/4"	1000
24	A0824	26-51	1" - 2"	1000
28	A0828	32-57	1 1/4"- 2 1/4"	1000
30	A0830	35-60	1 3/8"- 2 3/8"	1000
32	A0832	38-63	1 1/2"- 2 1/2"	1000
36	A0836	45-70	1 3/4"- 2 3/4"	1000
44	A0844	57-82	2 1/4"- 3 1/4"	1000
48	A0848	64-89	2 1/2"- 3 1/2"	500

**A10 , A13 & A14 Series**

SAE Size	Part No.			Dimension		Qty/Ctn
			mm	Inch		
6	A1006	A1306	A1406	10-22	3/8"-7/8"	1000
8	A1008	A1308	A1408	11-25	7/16"-1"	1000
10	A1010	A1310	A1410	13-27	1/2"-1 1/16"	1000
12	A1012	A1312	A1412	13-32	1/2"-1 1/4"	1000
16	A1016	A1316	A1416	18-38	11/16"-1 1/2"	500
20	A1020	A1320	A1420	19-44	3/4"-1 3/4"	500
24	A1024	A1324	A1424	25-51	1"-2"	500
28	A1028	A1328	A1428	32-57	1 1/4"-2 1/4"	500
32	A1032	A1332	A1432	38-63	1 1/2"-2 1/2"	500
36	A1036	A1336	A1436	44-70	1 3/4"-2 3/4"	500
40	A1040	A1340	A1440	51-76	2"-3"	500
44	A1044	A1344	A1444	57-82	2 1/4"-3 1/4"	500
48	A1048	A1348	A1448	64-89	2 1/2"-3 1/2"	500
52	A1052	A1352	A1452	70-95	2 3/4"-3 3/4"	500
56	A1056	A1356	A1456	76-101	3"-4"	250
60	A1060	A1360	A1460	83-108	3 1/4"-4 1/4"	250
64	A1064	A1364	A1464	64-114	2 1/2"-4 1/2"	250
72	A1072	A1372	A1472	76-127	3"-5"	250
80	A1080	A1380	A1480	89-140	3 1/2"-5 1/2"	250
88	A1088	A1388	A1488	102-152	4"-6"	250
96	A1096	A1396	A1496	114-165	4 1/2"-6 1/2"	250
104	A10104	A13104	A14104	127-178	5"-7"	250
116	A10116	A13116	A14116	146-197	5 3/4"-7 3/4"	250
128	A10128	A13128	A14128	64-216	2 1/2"-8 1/2"	200
140	A10140	A13140	A14140	184-235	7 1/4"-9 1/4"	200
152	A10152	A13152	A14152	51-254	2"-10"	150
164	A10164	A13164	A14164	51-273	2"-10 3/4"	150
176	A10176	A13176	A14176	241-292	9 1/2"-11 1/2"	150
188	A10188	A13188	A14188	51-311	2"-12 1/4"	150

Material	UK BS	Europe EN	France AFNOR	Germany DIN	Russia GOST
W1	Zinc Plated Steel	Zinc Plated Steel	Zinc Plated Steel	Zinc Plated Steel	Zinc Plated Steel
W2	Band, Hosing: SS301 or SS304 Screw: Zinc Plated Steel	X8Cr17	Z8 C17	1.4016	12Ch17
W4	SS304 or SS301	X5CrNi1810	Z7 CN18-09	1.4301	8Ch18Ni10
W5	SS316	X5CrNiMo17122	Z7 CND17-12-02	1.4401	10Ch17N13M2T

Please visit our website: [www.tjclamp.com](http://www.tjclamp.com)



**Power Lock Series**

**AH13 Series (1/2" Band Width)**  
**AH14 Series (9/16" Band Width)**  
**AH16 Series (5/8" Band Width)**



**AHT14 Series (9/16" band width)**  
**AHT16 Series (5/8" band width)**

**Constant Torque American Type Hose Clamps** Using a Belleville spring design to eliminate "cold flow" leakage, the Constant Torque American Type hose clamps adjust with the hose and fitting to maintain constant tension on the connection, eliminating leak paths. Excellent choice for fluctuating and extreme temperature applications and thermal compensation.

SAE Size	Dimension mm	Dimension inch	1/2"(12.5mm) Part No.	9/16"(14.2mm) Part No.	5/8"(15.8mm) Part No.
10	13-27	1/2"-1 1/16"	AH1310	AH1410	N/A
12	13-32	1/2"-1 1/4"	AH1312	AH1412	N/A
20	19-44	3/4"- 1 3/4"	AH1320	AH1420	N/A
24	19-51	3/4"- 2"	AH1324	AH1424	AH1624
28	26-57	1"- 2 1/4"	AH1328	AH1428	AH1628
32	26-63	1"- 2 1/2"	AH1332	AH1432	AH1632
36	22-70	7/8"-2 3/4"	AH1336	AH1436	AH1636
48	26-89	1"-3 1/2"	AH1348	AH1448	AH1648
56	26-101	1"-4"	AH1356	AH1456	AH1656
72	51-127	2"-5"	AH1372	AH1472	AH1672
80	65-140	2 9/16"-5 1/2"	AH1380	AH1480	AH1680
88	51-152	2"-6"	AH1388	AH1488	AH1688
104	51-178	2"-7"	AH13104	AH14104	AH16104
116	44-197	1 3/4"-7 3/4"	AH13116	AH14116	AH16116
128	108-216	4 1/4"-8 1/2"	AH13128	AH14128	AH16128
152	102-254	4"-10"	AH13152	AH14152	AH16152
180	197-298	7 3/4"-11 3/4"	AH13180	AH14180	AH16180
188	159-311	6 1/4"-12 1/4"	AH13188	AH14188	AH16188

Band Width mm	Part No.	Thickness mm	Dimension	
			mm	inch
14.2	AHT1432	0.65	17-32	11/16"-1 1/4"
14.2	AHT1438	0.65	21-38	13/16"-1 1/2"
14.2	AHT1444	0.65	21-44	13/16"-1 3/4"
14.2	AHT1451	0.65	27-51	1 1/16"- 2"
14.2	AHT1457	0.65	33-57	1 5/16"- 2 1/4"
14.2	AHT1464	0.65	40-64	1 9/16"-1 1/2"
14.2	AHT1470	0.65	46-70	1 13/16"- 2 3/4"
14.2	AHT1476	0.65	52-76	2 1/16"- 3"
14.2	AHT1483	0.65	59-83	2 5/16"- 3 1/4"
14.2	AHT1489	0.65	65-89	2 9/16"- 3 1/2"
14.2	AHT1495	0.65	71-95	2 13/16"- 3 3/4"
15.8	AHT1654	0.7	32-54	1 1/4"- 2 1/8"
15.8	AHT1667	0.7	45-67	1 3/4"- 2 5/8"
15.8	AHT1679	0.7	57-79	2 1/4"- 3 1/8"
15.8	AHT1692	0.7	70-92	2 3/4"- 3 5/8"
15.8	AHT18105	0.7	83-105	3 1/4"- 4 1/8"
15.8	AHT18118	0.7	95-118	3 3/4"- 4 5/8"
15.8	AHT18130	0.7	108-130	4 1/4"- 5 1/8"
15.8	AHT18143	0.7	121-143	4 3/4"- 5 5/8"
15.8	AHT18156	0.7	133-156	5 1/4"- 6 1/8"
15.8	AHT18168	0.7	146-168	5 3/4"- 6 5/8"
15.8	AHT18181	0.7	159-181	6 1/4"- 7 1/8"
15.8	AHT18194	0.7	172-194	6 3/4"- 7 5/8"
15.8	AHT18206	0.7	184-206	7 1/4"- 8 1/8"
15.8	AHT18219	0.7	197-219	7 3/4"- 8 5/8"
15.8	AHT18232	0.7	210-232	8 1/4"- 9 1/8"

Please visit our website: [www.tjclamp.com](http://www.tjclamp.com)

Every little correct step lead us to success.

Every little correct step lead us to success.

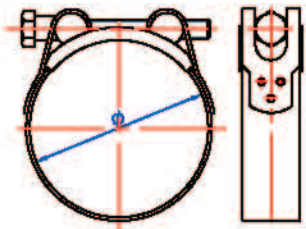




W1



W4



**Material:**

W1-- All galvanized Steel

W2-- All AISI 430 or 300 Series Stainless Steel except the galvanized screw and shaft

W4-- AISI 300 Series Stainless Steel

W5-- AISI 316 Stainless Steel

**High strength clamps**

Part No.	Dimension	Band Width	W1 & W2 Screw	Thickness of Carbon Steel	W4 & W5 Screw	Thickness of Stainless Steel
H19	17-19	18mm	M5×40	0.6mm	M5×40	0.6mm
H21	19-21	18mm	M5×40	0.6mm	M5×40	0.6mm
H22	20-22	18mm	M5×40	0.6mm	M5×40	0.6mm
H23	21-23	18mm	M5×40	0.6mm	M5×40	0.6mm
H25	23-25	18mm	M5×40	0.6mm	M5×40	0.6mm
H28	26-28	18mm	M5×40	0.6mm	M5×40	0.6mm
H31	29-31	20mm	M6×50	0.8mm	M6×50	0.6mm
H35	32-35	20mm	M6×50	0.8mm	M6×50	0.6mm
H39	36-39	20mm	M6×50	0.8mm	M6×50	0.6mm
H41	38-41	20mm	M6×50	0.8mm	M6×50	0.6mm
H43	40-43	20mm	M6×50	0.8mm	M6×50	0.6mm
H47	44-47	22mm	M6×55	1.2mm	M6×60	0.8mm
H51	48-51	22mm	M6×55	1.2mm	M6×60	0.8mm
H55	52-55	22mm	M6×55	1.2mm	M6×60	0.8mm
H59	56-59	22mm	M6×55	1.2mm	M6×60	0.8mm
H63	60-63	22mm	M6×55	1.2mm	M6×60	0.8mm
H67	64-67	22mm	M8×70	1.2mm	M6×60	0.8mm
H73	68-73	24mm	M8×70	1.5mm	M8×70	0.8mm
H79	74-79	24mm	M8×70	1.5mm	M8×70	0.8mm
H80	76-80	24mm	M8×70	1.5mm	M8×70	0.8mm
H85	80-85	24mm	M8×70	1.5mm	M8×70	0.8mm
H91	86-91	24mm	M8×70	1.5mm	M8×70	0.8mm
H97	92-97	24mm	M8×70	1.5mm	M8×70	0.8mm
H103	98-103	24mm	M8×75	1.5mm	M8×80	0.8mm
H112	104-112	24mm	M8×75	1.5mm	M8×80	0.8mm
H121	113-121	24mm	M8×75	1.5mm	M8×80	0.8mm
H130	122-130	24mm	M8×75	1.5mm	M8×80	0.8mm
H139	131-139	26mm	M10×85	1.7mm	M10×90	1.0mm
H148	140-148	26mm	M10×85	1.7mm	M10×90	1.0mm
H161	149-161	26mm	M10×85	1.7mm	M10×90	1.0mm
H174	162-174	26mm	M10×85	1.7mm	M10×90	1.0mm
H187	175-187	26mm	M10×100	1.7mm	M10×100	1.0mm
H200	188-200	26mm	M10×100	1.7mm	M10×100	1.0mm
H213	201-213	26mm	M10×100	1.7mm	M10×100	1.0mm
H226	214-226	26mm	M10×100	1.7mm	M10×100	1.0mm
H239	227-239	26mm	M10×100	1.7mm	M10×100	1.0mm
H252	240-252	26mm	M10×100	1.7mm	M10×100	1.0mm



**V-Band Couplings**

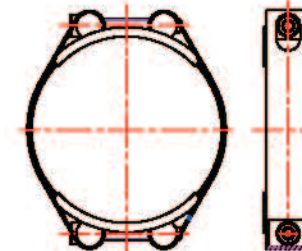
Please visit our website: [www.tjclamp.com](http://www.tjclamp.com)



W1



W4



**Double Bolts Power Clamps** have double screws and bands which may provide high clamping force.

They contain 2 bridges welded onto clamp band for optimal hose protection. The double bolts allow for easy fitting on pre-fixed pipes and fittings.

Part No.	Dimension	Band Width	Thick-ness	Screw	Part No.	Dimension	Band Width	Thick-ness	Screw
DBH45	35-45	20mm	M6×45	1.0	DBHS70	60-70	24mm	M8×60	1.0
DBH50	40-50	20mm	M6×45	1.0	DBHS80	70-80	24mm	M8×60	1.0
DBH55	45-55	20mm	M6×45	1.0	DBHS90	80-90	24mm	M8×60	1.0
DBH60	50-60	20mm	M6×45	1.0	DBHS100	90-100	24mm	M8×60	1.0
DBH65	55-65	20mm	M6×45	1.0	DBHS110	100-110	24mm	M8×60	1.0
DBH70	60-70	20mm	M6×45	1.0	DBHS120	110-120	24mm	M8×60	1.0
DBH75	65-75	20mm	M6×45	1.0	DBHS130	120-130	24mm	M8×60	1.0
DBH80	70-80	20mm	M6×45	1.0	DBHS140	130-140	24mm	M8×60	1.0
DBH85	75-85	20mm	M6×45	1.0	DBHS150	140-150	24mm	M8×60	1.0
DBH90	80-90	20mm	M6×45	1.0	DBHS160	150-160	24mm	M8×60	1.0
DBH95	85-95	20mm	M6×45	1.0	DBHS170	160-170	24mm	M8×60	1.0
					DBHS180	170-180	24mm	M8×60	1.0
					DBHS190	180-190	24mm	M8×60	1.0
					DBHS200	190-200	24mm	M8×60	1.0
					DBHS210	200-210	24mm	M8×60	1.0
					DBHS220	210-220	24mm	M8×60	1.0
					DBHS230	220-230	24mm	M8×60	1.0
					DBHS240	230-240	24mm	M8×60	1.0
					DBHS250	240-250	24mm	M8×60	1.0
					DBHS260	250-260	24mm	M8×60	1.0
					DBHS270	260-270	24mm	M8×60	1.0
					DBHS280	270-280	24mm	M8×60	1.0
					DBHS290	280-290	24mm	M8×60	1.0
					DBHS300	290-300	24mm	M8×60	1.0

**Material:**

W1-- All galvanized Steel

W2-- All AISI 430 or 300 Series Stainless Steel except the galvanized screw and shaft

W4-- AISI 300 Series Stainless Steel

W5-- AISI 316 Stainless Steel



**Single Bolt Power Clamps**

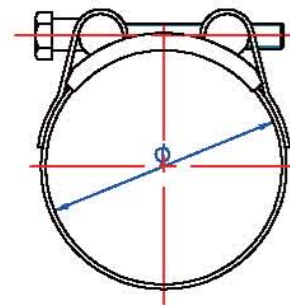
Part No.	Dimension	Band Width	Screw	Thick-ness	Part No.	Dimension	Band Width	Screw	Thick-ness
SH40	35-40	20mm	M6×45	1.0	SH105	100-105	20mm	M6×45	1.0
SH45	40-45	20mm	M6×45	1.0	SH110	105-110	20mm	M6×45	1.0
SH50	45-50	20mm	M6×45	1.0	SH115	110-115	20mm	M6×45	1.0
SH55	50-55	20mm	M6×45	1.0	SH120	115-120	20mm	M6×45	1.0
SH60	55-60	20mm	M6×45	1.0	SH125	120-125	20mm	M6×45	1.0
SH65	60-65	20mm	M6×45	1.0	SH130	125-130	20mm	M6×45	1.0
SH70	65-70	20mm	M6×45	1.0	SH135	130-135	20mm	M6×45	1.0
SH75	70-75	20mm	M6×45	1.0	SH140	135-140	20mm	M6×45	1.0
SH80	75-80	20mm	M6×45	1.0	SH145	140-145	20mm	M6×45	1.0
SH85	80-85	20mm	M6×45	1.0	SH150	145-150	20mm	M6×45	1.0
SH90	85-90	20mm	M6×45	1.0	SH155	150-155	20mm	M6×45	1.0
SH95	90-95	20mm	M6×45	1.0	SH160	155-160	20mm	M6×45	1.0
SH100	95-100	20mm	M6×45	1.0					

Please visit our website: [www.tjclamp.com](http://www.tjclamp.com)

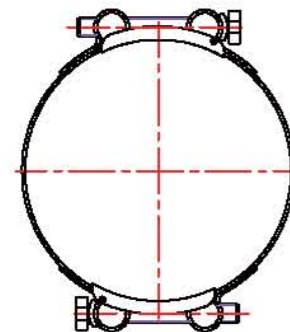
Every little correct step lead us to success.

Every little correct step lead us to success.

**Hi-Torque Strength Clamp with Single Bolt**

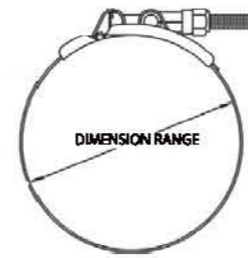


Part No	Dimension	Band width	Screw	Thick-ness	Part No	Dimension	Band width	Screw	Thick-ness
HT25	23-25	20mm	M6×45	0.8	SHT73	88-73	30mm	M10×70	1.7
HT28	26-28	20mm	M6×45	0.8	SHT79	74-79	30mm	M10×70	1.7
HT31	29-31	20mm	M6×45	0.8	SHT85	80-85	30mm	M10×70	1.7
HT35	32-35	20mm	M6×45	0.8	SHT91	86-91	30mm	M10×70	1.7
HT39	36-39	22mm	M8×50	1.2	SHT97	92-97	30mm	M10×70	1.7
HT43	40-43	22mm	M8×50	1.2	SHT103	98-103	30mm	M10×70	1.7
HT47	44-47	22mm	M8×60	1.2	SHT112	104-112	30mm	M10×70	1.7
HT51	48-51	22mm	M8×60	1.2	SHT121	113-121	30mm	M10×70	1.7
HT55	52-55	22mm	M8×60	1.2	SHT130	122-130	30mm	M10×90	1.7
HT59	56-59	22mm	M8×60	1.2	SHT139	131-139	30mm	M10×90	1.7
HT63	60-63	22mm	M8×60	1.2	SHT148	140-148	30mm	M10×90	1.7
HT67	64-67	22mm	M8×60	1.2	SHT161	149-161	30mm	M10×90	1.7
HT73	68-73	22mm	M8×70	1.2	SHT174	162-174	30mm	M10×90	1.7
HT79	74-79	22mm	M8×70	1.2	SHT187	175-187	30mm	M10×90	1.7
HT85	80-85	22mm	M8×70	1.2	SHT200	188-200	30mm	M10×90	1.7
HT91	86-91	22mm	M8×70	1.2	SHT213	201-213	30mm	M10×100	1.7
HT97	92-97	22mm	M8×70	1.2	SHT226	214-226	30mm	M10×100	1.7
HT103	98-103	22mm	M8×70	1.2	SHT239	227-239	30mm	M10×100	1.7
HT112	104-112	22mm	M8×70	1.2	SHT252	240-252	30mm	M10×100	1.7
HT121	113-121	22mm	M8×70	1.2	SHT260	248-260	30mm	M10×100	1.7
HT174	162-174	30mm	M10×90	1.7					
HT187	175-187	30mm	M10×90	1.7					
HT200	188-200	30mm	M10×90	1.7					
HT213	201-213	30mm	M10×100	1.7					
HT226	214-226	30mm	M10×100	1.7					
HT239	227-239	30mm	M10×100	1.7					
HT252	240-252	30mm	M10×100	1.7					



**Hi-Torque Strength Clamp with Double Bolts**

Part No	Dimension	Band width	Screw	Thick-ness	Part No	Dimension	Band width	Screw	Thick-ness
DHT79	74-79	30mm	M10×80	1.7	DHT200	188-200	30mm	M10×90	1.7
DHT85	80-85	30mm	M10×80	1.7	DHT220	200-220	30mm	M10×90	1.7
DHT91	86-91	30mm	M10×80	1.7	DHT240	220-240	30mm	M10×100	1.7
DHT97	92-97	30mm	M10×80	1.7	DHT260	240-260	30mm	M10×100	1.7
DHT103	98-103	30mm	M10×80	1.7	DHT280	260-280	30mm	M10×100	1.7
DHT107	97-107	30mm	M10×80	1.7	DHT300	280-300	30mm	M10×100	1.7
DHT112	104-112	30mm	M10×80	1.7	DHT325	300-325	30mm	M10×100	1.7
DHT121	113-121	30mm	M10×80	1.7	DHT350	325-350	30mm	M10×100	1.7
DHT130	122-130	30mm	M10×90	1.7	DHT375	350-375	30mm	M10×100	1.7
DHT139	131-139	30mm	M10×90	1.7	DHT400	375-400	30mm	M10×100	1.7
DHT148	140-148	30mm	M10×90	1.7	DHT425	400-425	30mm	M10×100	1.7
DHT161	149-161	30mm	M10×90	1.7	DHT450	425-450	30mm	M10×100	1.7
DHT174	162-174	30mm	M10×90	1.7	DHT475	450-475	30mm	M10×100	1.7
DHT187	175-187	30mm	M10×90	1.7	DHT500	475-500	30mm	M10×100	1.7



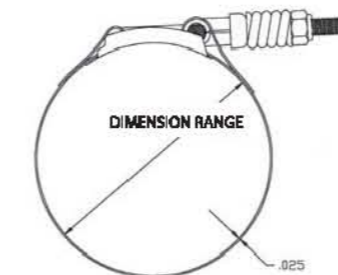
Band Thickness: 0.025" or 0.039"

**T-Bolt clamps**

Part No.	Dimension Range In Inch	Dimension Range In mm	Part No.	Dimension Range In Inch	Dimension Range In mm				
TB38	1.38	1.50	35	38	TB105	3.81	4.12	97	105
TB40	1.44	1.56	37	40	TB111	4.06	4.37	103	111
TB41	1.50	1.62	38	41	TB117	4.31	4.62	109	117
TB43	1.58	1.68	40	43	TB124	4.56	4.87	116	124
TB44	1.62	1.75	41	44	TB130	4.81	5.12	122	130
TB49	1.69	1.94	43	49	TB136	5.06	5.37	129	136
TB52	1.81	2.06	46	52	TB143	5.31	5.62	135	143
TB59	2.06	2.31	52	59	TB149	5.56	5.87	141	149
TB64	2.19	2.50	56	64	TB155	5.81	6.12	148	155
TB67	2.31	2.62	59	67	TB162	6.06	6.37	154	162
TB68	2.38	2.89	60	68	TB174	6.56	6.87	167	174
TB70	2.44	2.75	62	70	TB181	6.81	7.12	173	181
TB73	2.56	2.87	65	73	TB187	7.06	7.37	179	187
TB76	2.69	3.00	68	76	TB193	7.31	7.62	185	193
TB79	2.81	3.12	71	79	TB200	7.56	7.87	192	200
TB83	2.94	3.25	75	83	TB206	7.81	8.12	198	206
TB86	3.06	3.37	78	86	TB213	8.06	8.37	205	213
TB92	3.31	3.62	84	92	TB233	8.69	9.19	221	233
TB98	3.56	3.87	90	98	TB283	10.63	11.13	270	283
TB100	3.63	3.94	92	100	TB334	12.63	13.13	321	334

Additional sizes and designs available-Contact Jimkoo For information.

**Spring Loaded T-Bolt clamps**



Band Thickness: 0.025" or 0.039"

Part No.	Dimension Range In Inch	Dimension Range In mm	Part No.	Dimension Range In Inch	Dimension Range In mm				
STB71	2.50	2.81	64	71	STB135	5.00	5.31	127	135
STB75	2.62	2.94	67	75	STB138	5.12	5.44	130	138
STB78	2.75	3.06	70	78	STB141	5.25	5.56	133	141
STB81	2.88	3.19	73	81	STB145	5.38	5.69	137	145
STB84	3.00	3.31	76	84	STB148	5.50	5.81	140	148
STB87	3.12	3.44	79	87	STB154	5.75	6.06	146	154
STB90	3.25	3.56	83	90	STB157	5.88	6.19	149	157
STB94	3.38	3.69	76	94	STB160	6.00	6.31	152	160
STB97	3.50	3.81	89	97	STB164	6.12	6.44	155	164
STB100	3.62	3.91	92	100	STB167	6.25	6.56	159	167
STB103	3.75	4.06	95	103	STB170	6.38	6.69	162	170
STB106	3.88	4.19	99	106	STB173	6.50	6.81	165	173
STB109	4.00	4.31	102	109	STB176	6.62	6.94	168	176
STB113	4.12	4.44	105	113	STB179	6.75	7.06	171	179
STB118	4.25	4.56	108	118	STB183	6.88	7.19	175	183
STB119	4.38	4.69	111	119	STB186	7.00	7.31	178	186
STB122	4.50	4.81	114	122	STB192	7.25	7.56	184	192
STB125	4.62	4.94	117	125	STB195	7.38	7.69	187	195
STB129	4.75	5.06	121	129	STB198	7.50	7.81	191	198
STB132	4.88	5.19	124	132	STB205	7.75	8.06	197	205

Please visit our website: [www.tjclamp.com](http://www.tjclamp.com)

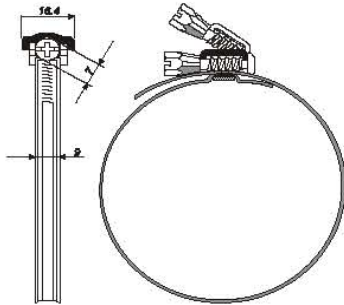
Every little correct step lead us to success.

Every little correct step lead us to success.

Please visit our website: [www.tjclamp.com](http://www.tjclamp.com)



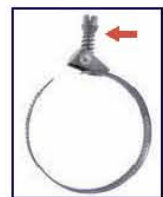
**Quick release Hose Clamp with non-perforated band** provides safe and flexible solutions in closed systems where the clamp must be disengaged to be applied. Captured screw design makes the frequent installation and removal fast and easy.



Part No.	Part No.	Part No.
QG90	QG225	QG425
QG100	QG250	QG450
QG110	QG270	QG500
QG115	QG275	QG525
QG125	QG290	QG540
QG135	QG300	QG550
QG145	QG320	QG600
QG150	QG325	QG650
QG170	QG350	QG660
QG175	QG370	QG700
QG200	QG380	QG725
QG215	QG400	QG750



**Quick release Hose Clamp with perforated band** Designed for closed systems where the clamp must be disengaged to be applied. The swivel-action locking of screw to band makes installation and removal quickly and easily. Available in sizes from 1/2" to 12" clamping diameters.



1. Loop disengaged, clamp around object



2. Slip band through housing.



3. Snap screw down and tighten.

SAE Size	Part No.	Dimension Range in mm	Dimension Range in Inch
12	QA12	13-32	1/2" - 1 1/4"
20	QA20	19-44	3/4" - 1 3/4"
24	QA24	26-51	3/4" - 2"
28	QA28	26-57	1" - 2 1/4"
36	QA36	26-70	1" - 2 3/4"
48	QA48	38-89	1" - 3 1/2"
56	QA56	26-101	1" - 4"
72	QA72	51-127	2" - 5"
88	QA88	51-152	2" - 6"
104	QA104	45-178	2" - 7"
116	QA116	45-197	1 3/4" - 7 3/4"
128	QA128	45-216	4 1/4" - 8 1/2"
136	QA136	45-228	1 3/4" - 9"
152	QA152	51-254	2" - 10"
188	QA188	51-311	2" - 12 1/4"

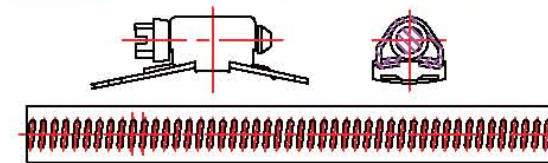
Please visit our website: [www.tjclamp.com](http://www.tjclamp.com)

**Endless Hose Clamp** is flexible solution, especially for large diameter requirements. Thus it could avoid to keep a lot of different clamp diameters in stock. It is used in plant construction work, lightning protection equipment, for fastening signs in place, etc.



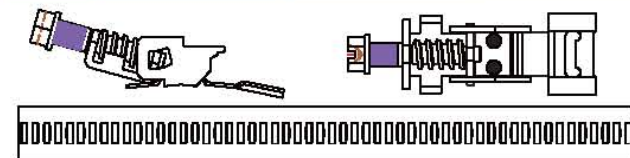
**Endless Clamp with perforated band**

Part No.	Band Width	Thickness	Length	Material	MOQ
AEB08	Band of 8mm	0.6mm	3 or 30m	SS301 or SS304	100rolls
AEB13	Band of 12.7mm	0.6mm	3 or 30m	SS301 or SS304	100rolls
AEB14	Band of 14.2mm	0.6mm	3 or 30m	SS301 or SS304	100rolls
AEH08	Housing for 8mm	--	--	SS301 or SS304	1000pcs.
AEH13	Housing for 12.7mm	--	--	SS301 or SS304	1000pcs.
AEH14	Housing for 14.2mm	--	--	SS301 or SS304	1000pcs.



**Endless Clamp with non-perforated band**

Part No.	Band Width	Thickness	Length	Material	MOQ
GEB09	Band of 9mm	0.6mm	3 or 30m	SS430 or SS304	100rolls
GEB12	Band of 12mm	0.6mm	3 or 30m	SS430 or SS304	100rolls
GEH09	Housing for 9mm	--	--	W1 or SS304	1000pcs.
GEH12	Housing for 12mm	--	--	W1 or SS304	1000pcs.



**Hose clamp with butterfly** With a simple hand twist intergrated into the fastener, they can be manually tightened and opened, no tools required. They are especially suitable for applications that demand simple, fast assembly and dismantling.



Please visit our website: [www.tjclamp.com](http://www.tjclamp.com)

Every little correct step lead us to success.

Every little correct step lead us to success.



**Throbbing Clamp**

Part No.	Dimension in mm	Dimension in inch	Band Width 6.3mm	Band Width 15mm	Band Width 19mm
THC32	32	1 1/4"	6.3	15	-
THC35	35	1 3/8"	6.3	15	-
THC38	38	1 1/2"	6.3	15	-
THC44	44	1 3/4"	6.3	15	-
THC51	51	2"	6.3	15	19
THC57	57	2 1/4"	6.3	15	19
THC64	64	2 1/2"	-	15	19
THC70	70	2 3/4"	-	15	19
THC76	76	3"	-	15	19
THC89	89	3 1/2"	-	15	19
THC102	102	4"	-	15	19
THC114	114	4 1/2"	-	15	19
THC127	127	5"	-	15	19
THC152	152	6"	-	15	19
THC178	178	7"	-	15	19
THC203	203	8"	-	15	19



**Punch Type Clamp -PO32**

Part No. W1	Part No. W4	Dimension in inch	Band Width
P-3	P-3-S	13/16"	3/8"
P-311	P-311S	13/8"	3/8"
P-4	P-4-S	1"	3/8"
P-5	P-5-S	1 1/4"	5/8"
P-6	P-6-S	1 1/2"	5/8"
P-7	P-7-S	1 3/4"	5/8"
P-8	P-8-S	2"	5/8"
P-9	P-9-S	2 1/4"	5/8"
P-10	P-10-S	2 1/2"	5/8"
P-11	P-11-S	2 3/4"	5/8"
P-12	P-12-S	3"	5/8"
P-14	P-14-S	3 1/2"	5/8"
P-16	P-16-S	4"	5/8"
P-18	P-18-S	4 1/2"	5/8"
P-20	P-20-S	5"	5/8"
P-24	P-24-S	6"	5/8"
P-28	P-28-S	7"	5/8"
P-32	P-32-S	8"	5/8"
Open end clamps W1			
PO32		8"	5/8"

Part No.	Band Width mm	Band Width inch	Band Thickness
BIT06	6.35	1/4"	0.63
BIT09	9.53	3/8"	0.63
BIT12	12.7	1/2"	0.76
BIT16	15.88	5/8"	0.76
BIT19	19.0	3/4"	0.76
BITH06	6.35	1/4"	0.70
BITH09	9.53	3/8"	1.00
BITH12	12.7	1/2"	1.20
BITH16	15.88	5/8"	1.50
BITH19	19.0	3/4"	1.80



**Band Clamp**

Material: Stainless Steel AISI 201 & AISI 304



**Stainless Steel Lock Steel Ball Ties**

Part No.	Band Width x long	Part No.	Band Width x long	Part No.	Band Width x long
SBT5127	4.6*127	SBT8150	7.6*150	SBT1320	13*200
SBT5152	4.6*152	SBT8200	7.6*200	SBT1325	13*250
SBT5200	4.6*200	SBT8250	7.6*250	SBT1330	13*300
SBT5250	4.6*250	SBT8300	7.6*300	SBT1335	13*350
SBT5300	4.6*300	SBT8350	7.6*350	SBT1340	13*400
SBT5350	4.6*350	SBT8400	7.6*400	SBT1345	13*450
SBT5400	4.6*400	SBT8450	7.6*450	SBT1350	13*500
SBT5450	4.6*450	SBT8500	7.6*500	SBT1355	13*550
SBT5500	4.6*500	SBT8550	7.6*550	SBT1360	13*600
SBT5550	4.6*550	SBT8600	7.6*600	SBT1365	13*650
SBT5600	4.6*600	SBT8650	7.6*650	SBT1370	13*700
SBT5650	4.6*650	SBT8700	7.6*700	SBT1375	13*750
SBT5700	4.6*700	SBT8750	7.6*750	SBT1380	13*800
SBT5750	4.6*750	SBT8800	7.6*800	SBT1385	13*850
SBT5800	4.6*800	SBT8850	7.6*850	SBT1390	13*900
		SBT8900	7.6*900	SBT1395	13*950
		SBT8950	7.6*950	SBT13100	13*1000
		SBT81000	7.6*1000	SBT13105	13*1050
		SBT81050	7.6*1050	SBT13110	13*1100
		SBT81100	7.6*1100	SBT13120	13*1200



**2010-Throbbing Clamp Tool**



**2020-Throbbing Clamp Tool**

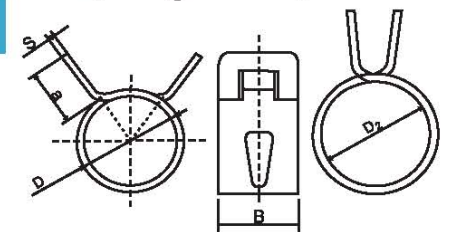


**2030-Band Clamp Tool**

Part No.	D	S(mm)	B(mm)	D <sub>1</sub>	D <sub>2</sub>	Part No.	D	S(mm)	B(mm)	D <sub>1</sub>	D <sub>2</sub>
S7.0	7.0	0.6	6.0	7.60	8.30	S15.0	15.0	10.0		16.20	17.90
S8.0	8.0			8.60	9.50	S15.5	15.5			16.70	18.40
S8.5	8.5			9.20	10.20	S16.0	16.0			17.30	19.10
S9.0	9.0			9.70	10.70	S16.5	16.5			17.90	19.70
S9.5	9.5	0.8	8.0	10.30	11.30	S17.0	17.0	12.0		18.40	20.20
S10.0	10.0			10.80	11.90	S17.5	17.5			18.90	20.90
S10.5	10.5			11.40	12.50	S18.0	18.0			19.40	21.40
S11.0	11.0			11.90	13.10	S18.5	18.5			20.00	22.10
S11.5	11.5	1.0	10.0	12.40	13.70	S19.0	19.0	12.0		20.50	22.60
S12.0	12.0			13.00	14.30	S19.5	19.5			21.10	23.30
S12.5	12.5			13.50	14.90	S20.0	20.0			21.60	23.80
S13.0	13.0			14.00	15.50	S20.5	20.5			22.20	24.40
S13.5	13.5	1.2	10.0	14.60	16.10	S21.0	21.0	12.0		22.70	25.00
S14.0	14.0			15.10	16.70	S23.0	23.0			24.80	27.40
S14.5	14.5			15.70	17.30	S24.0	24.0			25.90	28.50
						S25.0	25.0			27.00	29.80

D Delivery diameter  
S Thickness  
B Bandwidth  
D<sub>1</sub> Hose diameter  
D<sub>2</sub> Max open diameter

**Spring Clamps**



Zinc Plated



DACROMET

**Mini-clamps** are designed to provide a perfect seal on small hose and soft material hoses as used for fuel and emission lines.

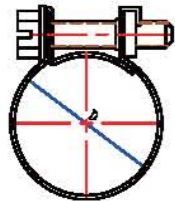
The non-perforated band eliminates any risk of damage to the hose and all sizes will close to a perfect circle.



W1



W4



Part No.	Dimension mm	Band Thickness	Part No.	Dimension mm	Band Thickness
M08	6-8	0.6	M22	20-22	0.7
M09	7-9	0.6	M23	21-23	0.7
M10	8-10	0.6	M24	22-24	0.7
M11	9-11	0.6	M25	23-25	0.7
M12	10-12	0.6	M27	25-27	0.7
M13	11-13	0.6	M28	26-28	0.7
M14	12-14	0.6	M29	27-29	0.7
M15	13-15	0.6	M30	28-30	0.7
M16	14-16	0.6	M31	29-31	0.7
M17	15-17	0.6	M32	30-32	0.7
M18	16-18	0.6	M33	31-33	0.7
M19	17-19	0.6	M34	32-34	0.7
M20	18-20	0.6	M48	46-48	0.7
M21	19-21	0.6			



French Type Mini Clamp

Part No.	Band Width mm	Dimension mm	Qty/Ctn.	Part No.	Band Width mm	Dimension mm	Qty/Ctn.
TE07	6±0.2	5-7	2000	TE27	9±0.2	23-27	1000
TE09	7±0.2	7-9	2000	TE28	9±0.2	25-28	1000
TE11	7±0.2	9-11	2000	TE31	9.5±0.2	28-31	1000
TE13	7±0.2	11-13	2000	TE34	9.5±0.2	31-34	1000
TE15	7.5±0.2	13-15	2000	TE37	9.5±0.2	34-37	1000
TE18	7.5±0.2	15-18	2000	TE40	10±0.2	37-40	1000
TE20	7.5±0.2	17-20	1000	TE43	10±0.2	40-43	1000
TE23	9±0.2	20-23	1000	TE46	10±0.2	43-46	1000
TE25	9±0.2	21-25	1000				



2-Ear Clamp

### Two-parts Hose Clamp



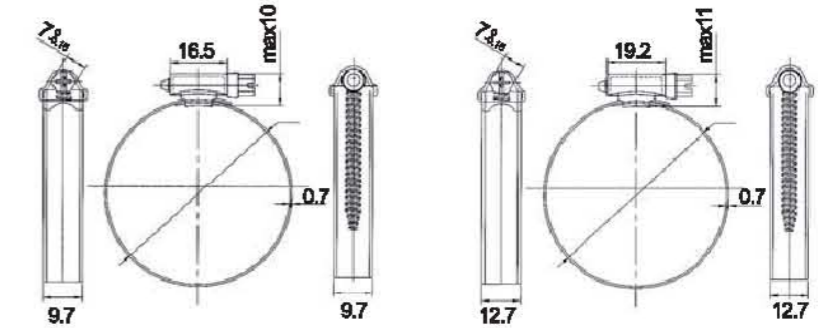
Flexible Driver

Please visit our website: [www.tjclamp.com](http://www.tjclamp.com)



**Italian Type Hose Clamps** provide high protection to the screw, which is not easy to drop even when opening the hose. It is available in 9.7mm and 12.7mm band width.

The differences between Italian hose clamp and Germany type hose clamp manifest on the hose and band width. They are chosen to use on different applications.



### Y10 Series (9.7mm Band Width)

Dimension mm	9.7mm Band Width Part No.	Qty/Ctn.
12-22	Y1012	1000
16-27	Y1027	1000
23-35	Y1035	1000
30-45	Y1045	1000
32-50	Y1050	500
40-60	Y1060	500
50-70	Y1070	500
60-80	Y1080	500
70-90	Y1090	500
80-100	Y10100	250
90-110	Y10110	250
100-120	Y10120	250
110-130	Y10130	250
120-140	Y10140	250
130-150	Y10150	250
140-160	Y10160	250
150-170	Y10170	250
160-180	Y10180	200
170-190	Y10190	200
180-200	Y10200	100
190-210	Y10210	100
200-220	Y10220	100
210-230	Y10230	100
220-240	Y10240	100
230-250	Y10250	100
240-260	Y10260	100

### Y13 Series (12.7mm Band Width)

Dimension mm	12.7mm Band Width Part No.	Qty/Ctn.
22-32	Y1332	600
25-38	Y1338	600
35-44	Y1344	600
35-51	Y1351	600
38-57	Y1357	600
44-64	Y1364	600
51-70	Y1370	600
64-76	Y1376	600
70-89	Y1389	600
96-92	Y1392	600
80-100	Y13100	500
90-110	Y13110	500
100-120	Y13120	500
110-130	Y13130	500
120-140	Y13140	400
130-150	Y13150	400
140-160	Y13160	350

Phillips head is used on W2.

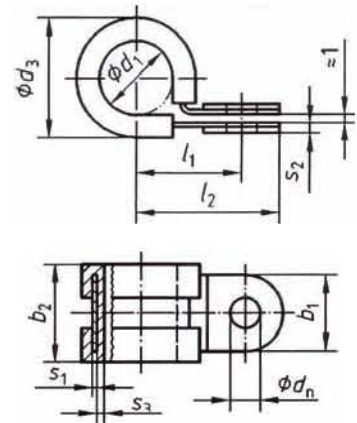
Slotted head screw is used on W4.

Material	9.7mm Install Torque Nm	12.7mm Install Torque Nm
W2	4.9	5.2
W4	4.9	5.2

Please visit our website: [www.tjclamp.com](http://www.tjclamp.com)



Fixing Clamps



Size (d <sub>1</sub> )	Band Width (b <sub>1</sub> ) mm				
	9mm	12mm	15mm	20mm	25mm
4	F0904	F1204			
6	F0906	F1206	F1506		
8	F0908	F1208	F1508		
10	F0910	F1210	F1510		
12	F0912	F1212	F1512		
14	F0914	F1214	F1514	F2014	F2514
16	F0916	F1216	F1516	F2016	F2516
18	F0918	F1218	F1518	F2018	F2518
20	F0920	F1220	F1520	F2020	F2520
22	F0922	F1222	F1522	F2022	F2522
24	F0924	F1224	F1524	F2024	F2524
26	F0926	F1226	F1526	F2026	F2526
28	F0928	F1228	F1528	F2028	F2528
30	F0930	F1230	F1530	F2030	F2530
32			F1532	F2032	F2532
34			F1534	F2034	F2534
36			F1536	F2036	F2536
38			F1538	F2038	F2538
40			F1540	F2040	F2540
42			F1542	F2042	F2542
44			F1544	F2044	F2544
46			F1546	F2046	F2546
48				F2048	F2548
50				F2050	F2550
54				F2054	F2554
56				F2056	F2556

Part No.	Dimension	W1 - Carbon Steel		Part No.	Dimension	W1 - Carbon Steel	
		Wire Diameter	Screw			Wire Diameter	Screw
DDK14	11-14	1.4mm	M5×30	DDK70	65-70	2.2mm	M6×50
DDK16	13-16	1.5mm	M5×30	DDK75	70-75	2.2mm	M6×50
DDK18	15-18	1.5mm	M5×30	DDK80	75-80	2.2mm	M6×50
DDK20	17-20	1.8mm	M5×30	DDK85	80-85	2.2mm	M6×50
DDK22	19-22	1.8mm	M5×30	DDK90	84-90	2.2mm	M6×50
DDK24	20-24	1.8mm	M5×30	DDK95	89-95	2.2mm	M6×50
DDK26	22-26	1.8mm	M5×30	DDK100	94-100	2.5mm	M6×60
DDK28	24-28	1.8mm	M5×30	DDK105	98-105	2.5mm	M6×60
DDK30	26-30	1.8mm	M5×35	DDK110	103-110	2.5mm	M6×60
DDK32	28-32	1.8mm	M6×40	DDK115	108-115	2.5mm	M6×60
DDK35	31-35	2.0mm	M6×40	DDK120	113-120	2.5mm	M6×60
DDK36	33-36	2.0mm	M6×40	DDK125	118-125	2.5mm	M6×60
DDK38	34-38	2.0mm	M6×40	DDK130	123-130	2.5mm	M6×60
DDK40	35-40	2.0mm	M6×40	DDK135	128-135	2.5mm	M6×60
DDK42	37-42	2.0mm	M6×40	DDK140	133-140	2.5mm	M6×60
DDK45	40-45	2.0mm	M6×40	DDK145	138-145	2.5mm	M6×70
DDK46	42-46	2.0mm	M6×40	DDK150	143-150	2.5mm	M6×70
DDK48	43-48	2.0mm	M6×40	DDK155	148-155	2.5mm	M6×70
DDK50	45-50	2.0mm	M6×50	DDK160	153-160	2.5mm	M6×70
DDK52	47-52	2.0mm	M6×50	DDK165	158-165	2.5mm	M6×70
DDK55	50-55	2.0mm	M6×50	DDK170	163-170	2.5mm	M6×70
DDK58	53-58	2.0mm	M6×50	DDK175	168-175	2.5mm	M6×70
DDK60	55-60	2.2mm	M6×50	DDK180	173-180	2.5mm	M6×70
DDK62	54-62	2.2mm	M6×50	DDK185	178-185	2.5mm	M6×70
DDK65	60-65	2.2mm	M6×50	DDK195	185-195	2.5mm	M6×70
DDK68	63-68	2.2mm	M6×50	DDK205	195-205	2.5mm	M6×70



Double Wire hose clamps



Plastic Coated Fixing Clamps



Mono Clamps

∅d <sub>1</sub>	b <sub>1</sub> ±0.3	b <sub>2</sub>	d <sub>n</sub>	d <sub>3</sub>	l <sub>1</sub> +1 -0.2	l <sub>2</sub> max	S <sub>1</sub>	S <sub>2</sub>	S <sub>3</sub>		
							W1	W4 W6	W1	W4 W6	±0.35
4 to 30	9	13±0.8	4.3	5.2	4.7	9.2	0.4	1.4	1		
4 to 30	12	15±0.8	5.3	5.8	6.8	13	0.5	1.5	1.2		
6 to 14	15	19±1.0	6.4	7.4	9.7	17.2	0.6	1.6	1.5		
16 to 48	20	25±1.0	8.4	d <sub>1</sub> +	d <sub>1</sub> +	d <sub>1</sub> 2	0.8	0.6	1.8	1.6	
14 to 24	20	25±1.0	8.4	9	12.5	22.5	1	0.8	2.5	2.3	
26 to 54	25	31±1.3	10.5	13	14.5	27	1	2.5	3		
14 to 48							1.2	1	2.7	2.5	
50 to 150											

Part No.	Diameter	Qty/Ctn.
DGS63	∅63	1500
DGS80	∅80	1500
DGS100	∅100	1000
DGS125	∅125	1000
DGS150	∅150	1000
DGS160	∅160	1000
DGS180	∅180	500
DGS200	∅200	500
DGS250	∅250	500
DGS300	∅300	500
DGS315	∅315	500
DGS355	∅355	500
DGS400	∅400	400
DGS450	∅450	400
DGS500	∅500	200
DGS560	∅560	200
DGS630	∅630	200

Part No.	Dimension	W1 - Carbon Steel		Part No.	Dimension	W1 - Carbon Steel	
		Wire Diameter	Screw			Wire Diameter	Screw
FDDK16	13-16	2.0mm	M5X30	FDDK89	82-89	3.0mm	M8x50
FDDK19	16-19	2.0mm	M5X30	FDDK98	92-98	3.0mm	M8x50
FDDK23	19-23	2.0mm	M5X30	FDDK115	103-115	3.5mm	M8x60
FDDK26	23-26	2.5mm	M6x35	FDDK125	115-125	3.5mm	M8x60
FDDK32	26-32	2.5mm	M6x35	FDDK140	125-140	3.5mm	M8x60
FDDK38	32-38	2.5mm	M6X35	FDDK152	140-152	3.5mm	M8x60
FDDK42	38-42	3.0mm	M8x40	FDDK167	152-167	3.5mm	M8x60
FDDK48	42-48	3.0mm	M8x40	FDDK176	164-176	3.5mm	M8x60
FDDK60	52-60	3.0mm	M8x40	FDDK215	200-215	3.5mm	M8x60
FDDK66	58-66	3.0mm	M8x50	FDDK235	215-235	3.5mm	M8x60
FDDK80	74-80	3.0mm	M8x50				



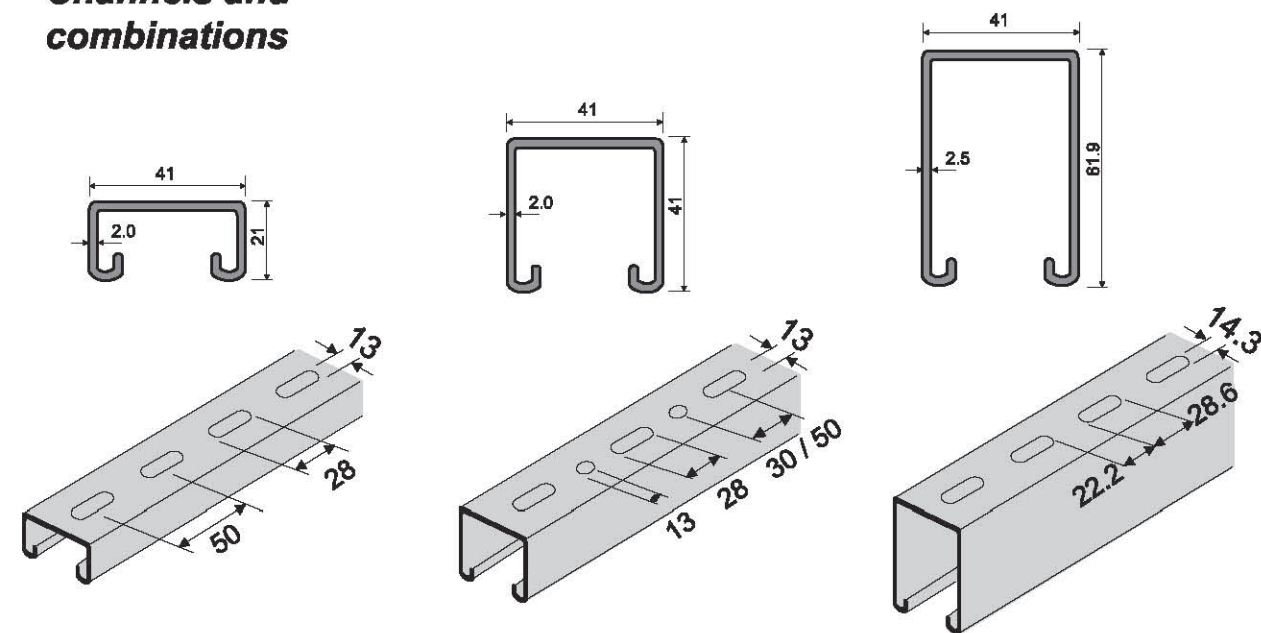
French type DDK

## Threaded Rod DIN975

Symbols	D Thread	P Thread distance (mm)	L Length (mm)	Min breaking moment (kh)	Weight / Mpcs (kg)	Symbols	D Thread	P Thread distance (mm)	L Length (mm)	Min breaking moment (kh)	Weight / Mpcs (kg)
5 x 1000	5	0.80	1000	5.6	150	5 x 1000	5	0.80	1000	5.6	150
6 x 1000	6	1.00	1000	8.0	166	6 x 1000	6	1.00	1000	8.0	166
8 x 1000	8	1.25	1000	14.6	302	8 x 1000	8	1.25	1000	14.6	302
10 x 1000	10	1.50	1000	23.2	466	10 x 1000	10	1.50	1000	23.2	466
12 x 1000	12	1.75	1000	33.7	705	12 x 1000	12	1.75	1000	33.7	705
14 x 1000	14	2.00	1000	46.0	978	14 x 1000	14	2.00	1000	46.0	978
16 x 1000	16	2.00	1000	62.8	1295	16 x 1000	16	2.00	1000	62.8	1295
18 x 1000	18	2.50	1000	76.8	1551	18 x 1000	18	2.50	1000	76.8	1551
20 x 1000	20	2.50	1000	98.0	2041	20 x 1000	20	2.50	1000	98.0	2041
24 x 1000	24	3.00	1000	141.0	2955	24 x 1000	24	3.00	1000	141.0	2955
5 x 2000	5	0.80	2000	5.6	300	5 x 2000	5	0.80	2000	5.6	300
6 x 2000	6	1.00	2000	8.0	332	6 x 2000	6	1.00	2000	8.0	332
8 x 2000	8	1.25	2000	14.6	604	8 x 2000	8	1.25	2000	14.6	604
10 x 2000	10	1.50	2000	23.2	932	10 x 2000	10	1.50	2000	23.2	932
12 x 2000	12	1.75	2000	33.7	1410	12 x 2000	12	1.75	2000	33.7	1410
14 x 2000	14	2.00	2000	46.0	1956	14 x 2000	14	2.00	2000	46.0	1956
16 x 2000	16	2.00	2000	62.8	2590	16 x 2000	16	2.00	2000	62.8	2590
18 x 2000	18	2.50	2000	76.8	3102	18 x 2000	18	2.50	2000	76.8	3102
20 x 2000	20	2.50	2000	98.0	4082	20 x 2000	20	2.50	2000	98.0	4082
24 x 2000	24	3.00	2000	141.0	5910	24 x 2000	24	3.00	2000	141.0	5910

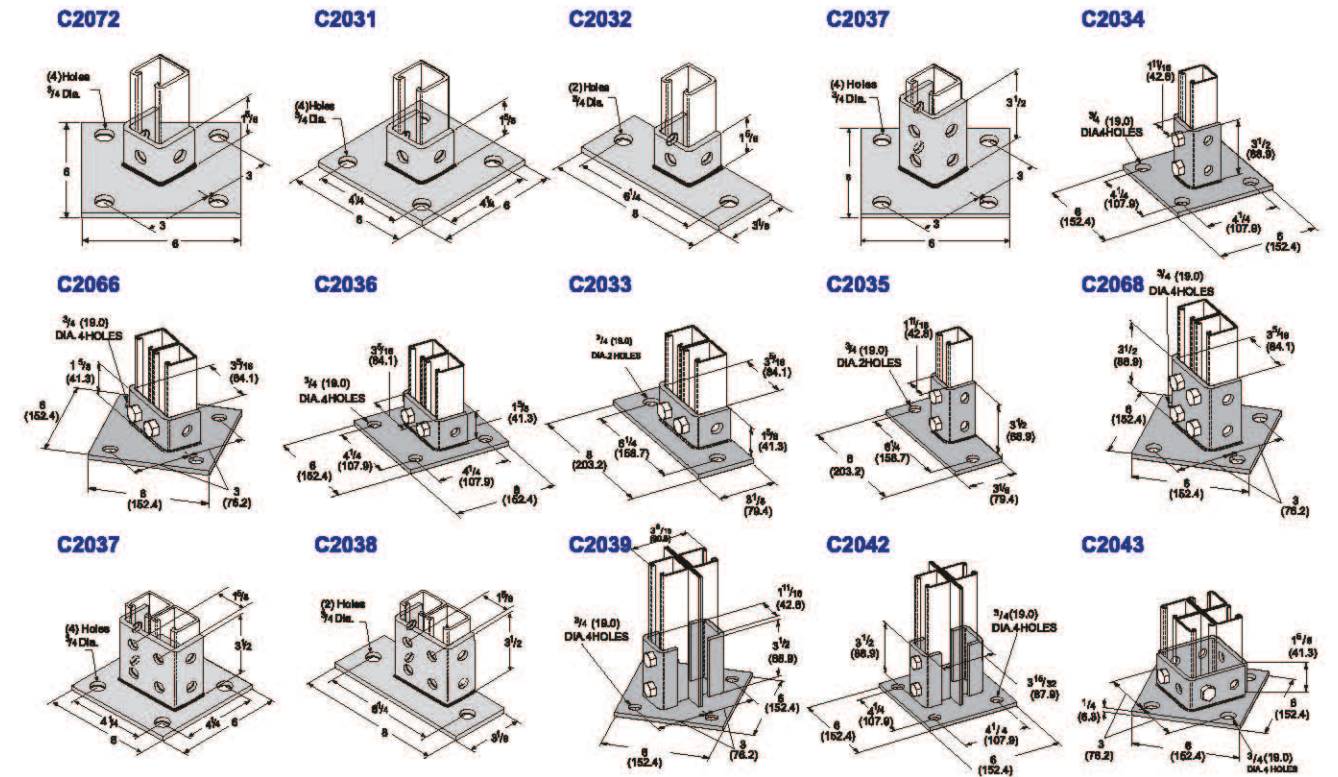
Fastness level: 4.6 or 4.8 Surface treatment: plain / white or yellow plated

## Channels and combinations

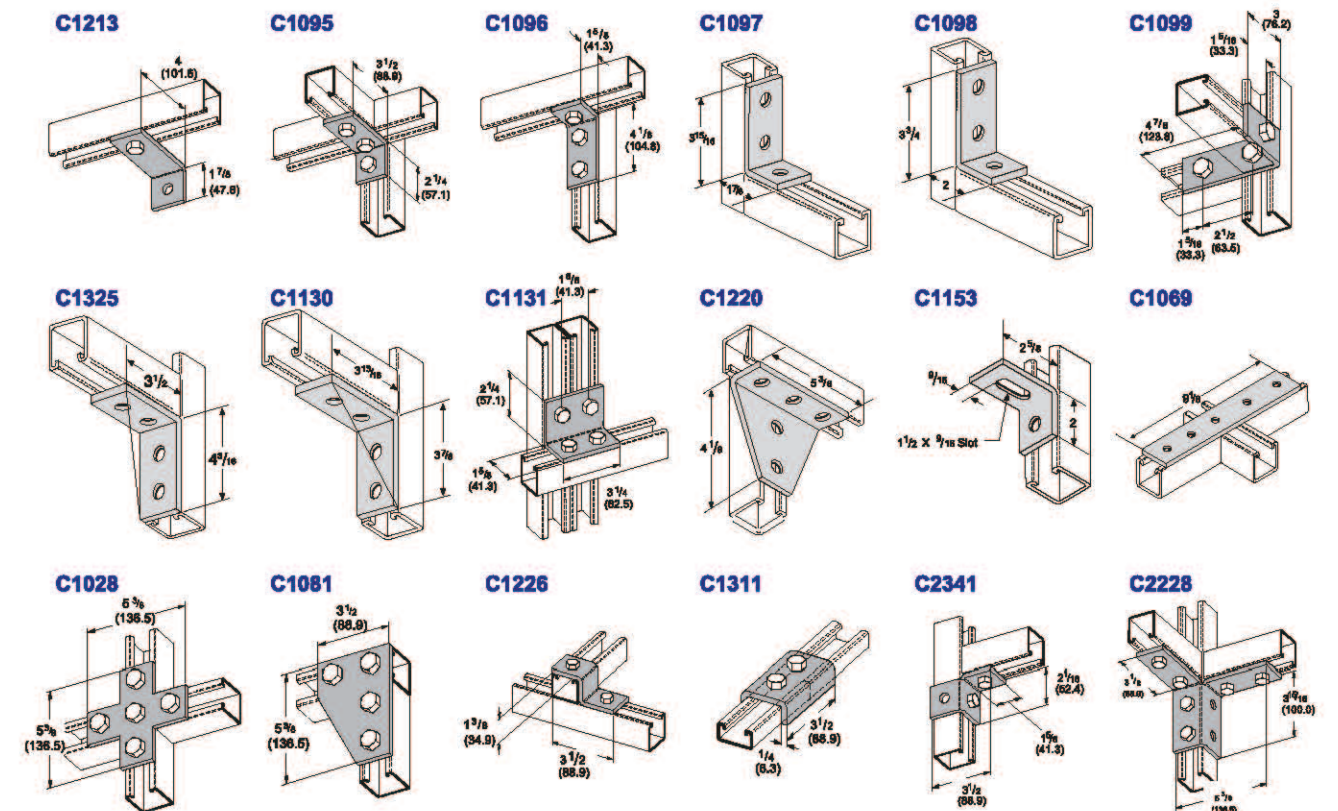


Please visit our website: [www.tjclamp.com](http://www.tjclamp.com)

## Pedestal



## Jointer



Please visit our website: [www.tjclamp.com](http://www.tjclamp.com)

Every little correct step lead us to success.

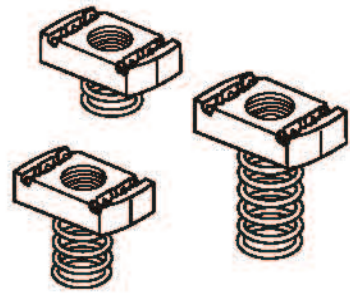
Every little correct step lead us to success.

## STRUT NUTS

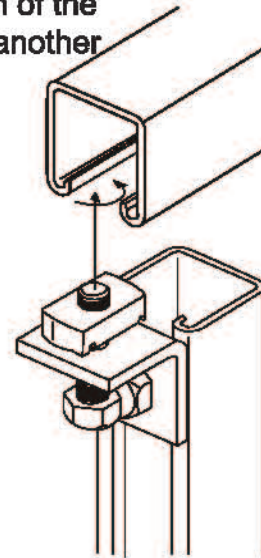
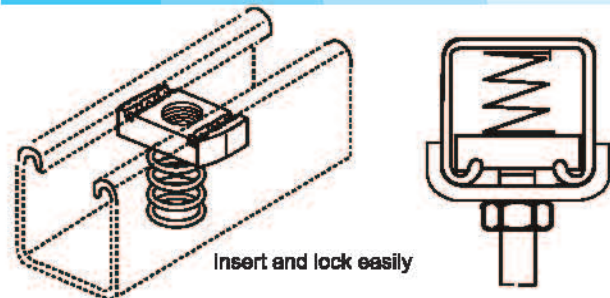
The Strut Nut is the key to the Strut System.

Insert Strut Nut anywhere along the length of the channel and attach the fitting to combine another channel a 90° turn.

Easy to use, save time and work.

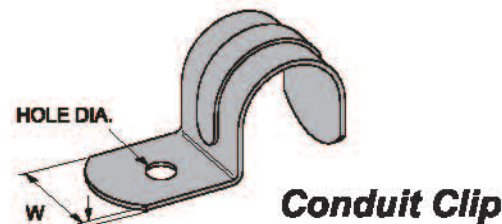


Thread Size	Width (mm)	Spring (mm)		Thickness (mm)
		Long	Short	
M6	19.0	34.5	20.0	6
M8	19.0	34.5	20.0	6
M10	19.0	34.5	20.0	10
M12	19.0	34.5	20.0	10
M16	19.0	34.5	20.0	12



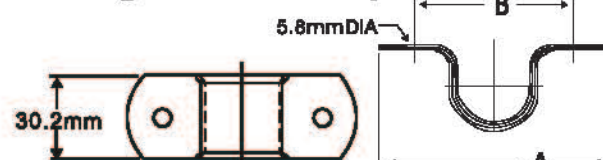
## SLEEVE ANCHORS

- Wedge Anchor
- Cavity Wall Anchor with Eye
- Bolt Anchor
- Cavity Wall Anchor with Screw
- Single Sleeve Anchor with Hook
- Screw Anchor
- Heavy Safety Sleeve Anchor
- Anchor with Eye
- Metal Hit Anchor

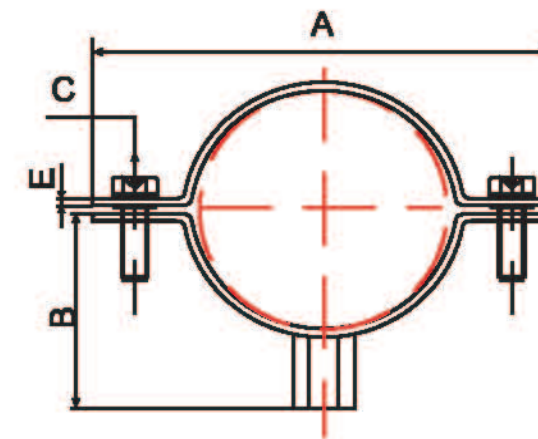


Part No.	Conduit Size inch	mm	T	W	Hole Dia.
C2301-1	1/2"	15	1.3	19.0	7.1
C2301-2	3/4"	20	1.3	22.2	7.1
C2301-3	1"	25	1.3	25.4	7.1
C2301-4	1 1/4"	32	1.6	31.7	7.1
C2301-5	1 1/2"	40	2.3	25.4	8.7
C2301-6	2"	50	2.3	31.7	10.3

## Bridge Conduit Clip



Part No.	Pipe Size inch	mm	A (mm)	B (mm)	Max. Hanger Spacing (m)
C10820	3/4"	20	82.6	57.2	1.7
C10825	1"	25	88.9	63.5	1.8
C10832	1-1/4"	32	108.0	82.6	2.0
C10840	1-1/2"	40	112.7	87.3	2.1
C10850	2"	50	125.4	100.0	2.4



PIPE clamp for Air conditioner without Rubber M8 + M10 bolt



PIPE clamp for Air conditioner with Rubber M8 + M10 bolt

## Pipe Clamp

It's safe assembly clamp that is used for mounting of cylindrical air channel.

EPDM lining for noise reduction up to 15dB level according to DIN4109

Vibration Reduction

Partial compensation of thermal expansion.

Part No.	Size	A mm	E	B	C	Qty/Ctn	Meast.
PA80	Ø80	125.5		56		50	38 X 27 X 14
PA100	Ø100	144.5		65.5		50	38 X 27 X 21
PA125	Ø125	169.6		78		50	38 X 27 X 29
PA160	Ø160	205.7	1.5	96		50	40 X 37 X 28
PA200	Ø200	251.8		119		25	32 X 27 X 14
PA250	Ø250	291.8		139		25	38 X 27 X 19
PA315	Ø315	357.8		172		25	38 X 27 X 24
PA355	Ø355	397.9		192.5		25	40 X 37 X 25
PA400	Ø400	443.9		215.5	9	25	59 X 32 X 30
PA450	Ø450	495.9		241.5		25	50 X 50 X 26
PA500	Ø500	545.9		266.5		25	50 X 50 X 26
PA560	Ø560	605.9	2	296.5		25	63 X 51 X 30
PA630	Ø630	675.9		331.5		25	63 X 51 X 30
PA710	Ø710	755.7		368.5		25	63 X 51 X 30
PA800	Ø800	845.9		416.5		25	86 X 66 X 30
PA900	Ø900	945.9		466.5		10	90 X 23 X 53
PA1000	Ø1000	1046.0		516.5		10	102 X 24 X 59

Part No.	Size	A mm	E	B	C	Qty/Ctn	Meast.
PAR80	Ø80	135.5		61.0		50	38 X 27 X 22
PAR100	Ø100	154.5		70.5		50	38 X 27 X 30
PAR125	Ø125	179.6		83.0		50	40 X 37 X 28
PAR160	Ø160	215.7	1.5	101.0		50	40 X 37 X 30
PAR200	Ø200	261.8		124.0		25	38 X 27 X 19
PAR250	Ø250	301.8		144.0		25	38 X 27 X 23
PAR315	Ø315	367.8		177.0		25	40 X 37 X 29
PAR355	Ø355	407.9		197.5		25	41 X 37 X 35
PAR400	Ø400	453.9		220.5	9	25	50 X 41 X 32
PAR450	Ø450	505.9		246.5		25	52 X 52 X 27
PAR500	Ø500	555.9		271.5		25	64 X 51 X 28
PAR560	Ø560	615.9	2	301.5		25	64 X 51 X 31
PAR630	Ø630	685.9		336.5		25	72 X 51 X 32
PAR800	Ø800	855.9		421.5		25	100 X 59 X 42
PAR900	Ø900	955.9		471.5		10	90 X 23 X 53
PAR1000	Ø1000	1056.0		521.5		10	102 X 24 X 59

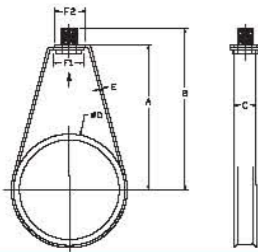




**Heavy Duty Pipe clamps**  
M8 or M10 or M8+M10 bolt  
EPDM OR NR zinc plated

Size	Band Width	Part No.	Thick-ness	Part No.	Thick-ness	Screw	
3/8	15-19	20	PHDA18	2.0	PHDB18	1.5	M6*20
1/2	20-25	20	PHDA22	2.0	PHDB22	1.5	M6*20
3/4	26-30	20	PHDA28	2.0	PHDB28	1.5	M6*20
1	32-36	20	PHDA35	2.0	PHDB35	1.5	M6*20
1-1/4	38-42	20	PHDA40	2.0	PHDB40	1.5	M6*20
1-1/2	47-51	20	PHDA48	2.0	PHDB48	1.5	M6*20
2	60-64	20	PHDA60	2.0	PHDB60	1.5	M6*20
2 1/4	68-72	20	PHDA70	2.0	PHDB70	1.5	M6*20
2-1/2	75-80	20	PHDA75	2.0	PHDB75	1.5	M6*20
3	87-92	20	PHDA90	2.0	PHDB90	1.5	M6*20
3-1/2	99-105	20	PHDA100	2.0	PHDB100	1.5	M6*20
4	107-112	20	PHDA110	2.0	PHDB110	1.5	M6*20
4 1/2	125-130	20	PHDA125	2.0	PHDB125	1.5	M6*20
5	138-142	20	PHDA140	2.0	PHDB140	1.5	M6*20
6	159-166	20	PHDA160	2.0	PHDB160	1.5	M6*20
8	200-212	20	PHDA200	2.0	PHDB200	1.5	M6*20
10	215-220	20	PHDA220	2.0	PHDB220	1.5	M6*20

**Sprinkler Pipe Clamp**



Part No.	Size	A mm	B	C	E	Nut	D
SP015	1/2	41.50	54.50	16	1.2	3/8	21.7
SP020	3/4	45.34	60.50	16	1.2	3/8	27.2
SP025	1	47.73	64.16	16	1.2	3/8	34.0
SP032	1-1/4	54.31	70.74	16	1.2	3/8	42.7
SP040	1-1/2	57.58	74.01	16	1.2	3/8	48.6
SP050	2	66.16	82.59	16	1.2	3/8	60.5
SP065	2-1/2	88.69	104.5	22	1.5	3/8	76.3
SP080	3	96.12	112.5	22	1.5	3/8	89.1
SP090	3-1/2	100.5	120.5	22	1.5	3/8	102.0
SP100	4	110.7	128.9	22	1.5	3/8	114.0
SP125	5	135.7	145.5	19	2.0	1/2	139.8
SP150	6	154.1	173.2	19	2.0	1/2	165.2
SP200	8	192.4	211.5	19	2.5	1/2	216.3



**Heavy-Duty Series Pipe Clamp**

Please visit our website: [www.tjclamp.com](http://www.tjclamp.com)



**Clevis Hangers**

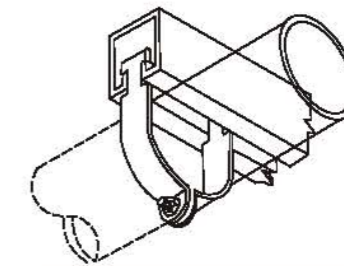
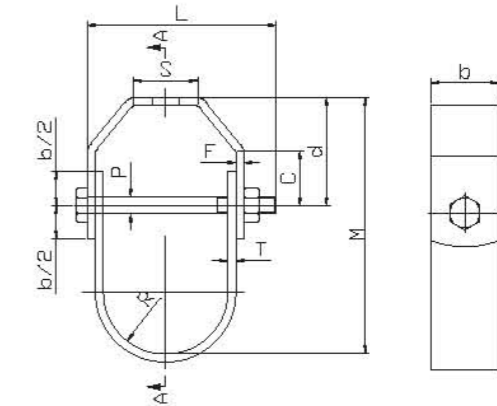
Part No.	Size	M	Φ	d	r <sub>s</sub>	C	S	e	Bolt Size	b	T
CCH020	3/4	82.5	11	46	40	20	24	8	1/4x50	22.5	2.5
CCH025	1	99	11	56.5	40	20	24	8	1/4x57	22.5	2.5
CCH032	1-1/4	106	11	54	40	23	24	8	1/4x70	22.5	2.5
CCH040	1-1/2	107	11	40	40	23	24	8	1/4x75	22.5	2.5
CCH050	2	126	11	56	40	21	25	8	1/4x90	22.5	2.5
CCH065	2-1/2	156	14	69	40	15	32	11	3/8x110	26	3.0
CCH080	3	169	14	53	40	15	32	11	3/8x115	26	3.0
CCH090	3-1/2	165	14	51	40	20	34	11	3/8x140	30	4.0
CCH100	4	200	17	72.5	40	20	45	11	3/8x150	30	4.0
CCH125	5	231	17	76	40	24	50	14	1/2x200	32	4.5
CCH150	6	260	20	77	40	21	50	14	1/2x225	36.5	4.5
CCH200	8	329	20	90	40	28	57	17	5/8x280	42.5	4.5
CCH250	10	381	23.7	84	80	30	54	20	3/4x360	44.5	6.0
CCH300	12	157	23.7	104.5	80	48	57	20	3/4x410	50	6.0
CCH350	14	514	27	123	80	38	94	23.7	7/8x465	50	6.0
CCH400	16	560	27	119	80	50	90	27	1x520	64	6.0
CCH450	18	638	32	135	80	50	105	32	1-1/8x570	64	6.5
CCH500	20	695	33.2	135	80	58	180	33.2	1-1/4x645	76	8.0
CCH600	24	803	33.2	155	80	58	215	33.2	1-1/4x755	76	8.0

Normal Size	26	28	32	36	38	40	42	45	48	50
R	13.5	14.5	16.5	18.5	19.5	20.5	21.5	23	24.5	25.5
l	55	60	68	75	86	97	107	117	127	137
a	19.5	19.5	25	28	24	24	25	29	29	30
b	26	26	26	30	30	30	28	32	32	32
c	52	59	61	66	69	66	65	74	78	80
h	43	47	42	50	50	56	57	61	65	67

Normal Size	52	54	60	65	70	80	85	90	100
R	26.5	27.5	30.5	33	35.5	40.5	43	45.5	50.5
l	83	87	90	97	101	109	117	124	130
a	30	33	35	39	39	49	49	52	53.5
b	32	32	32	32	32	32	32	32	32
c	81	83	90	92	100	110	116	118	132
h	69	71	75	75	88	96	104	110	119

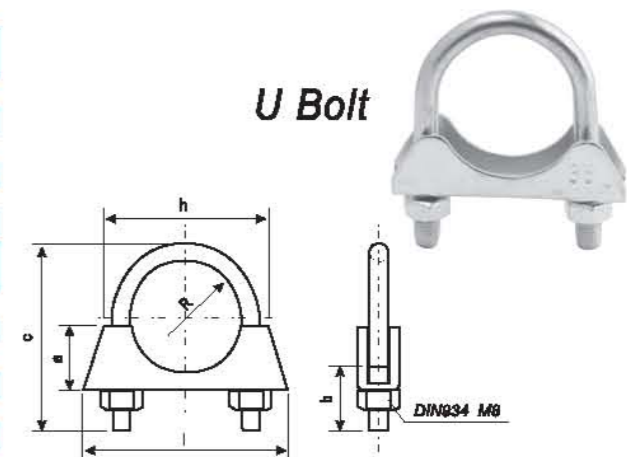
Please visit our website: [www.tjclamp.com](http://www.tjclamp.com)



**P type Pipe Clamp**

Part No.	Pipe Size	Out Dia.	Thickness	Screw	Max. Load
CP04	15	21.7	1.4	M6x25	1.76KN
CP06	20	27.2	1.4	M6x25	1.76KN
CP10	25	34.0	2.0	M6x25	2.65KN
CP12	32	42.7	2.0	M6x25	2.65KN
CP14	40	48.6	2.0	M6x25	2.65KN
CP20	50	60.5	2.6	M8x40	3.53KN
CP24	65	76.3	2.6	M8x40	3.53KN
CP30	80	89.1	2.6	M8x40	3.53KN
CP40	100	114.3	3.0	M10x40	4.12KN
CP50	125	139.8	3.0	M10x40	4.12KN
CP60	150	165.2	3.4	M10x40	4.41KN
CP80	200	216.3	3.4	M10x40	4.41KN
CP04E	19	19.1	1.4	M6x25	1.76KN
CP06E	25	25.4	1.4	M6x25	1.76KN
CP10E	31	31.8	2.0	M6x25	2.65KN
CP12E	39	38.1	2.0	M6x25	2.65KN
CP14E	51	50.8	2.0	M6x25	2.65KN
CP20E	63	63.5	2.6	M8x40	3.53KN

**U Bolt**



Please visit our website: [www.tjclamp.com](http://www.tjclamp.com)



**M7 Single Clamp**

Size	Thickness	Weight	Box Size	Q'ty/box
Ø8	0.7 + 0.7	6.70g/pc	70*70*70	100
Ø10	0.7 + 0.7	6.90g/pc	145*120*65	100
Ø12	0.7 + 0.7	7.10g/pc	145*120*65	100
Ø14	0.7 + 0.7	7.40g/pc	145*120*65	100
Ø15	0.7 + 0.7	7.70g/pc	145*120*65	100
Ø16	0.7 + 0.7	7.80g/pc	145*120*65	100
Ø18	0.7 + 0.7	8.30g/pc	145*120*65	100
Ø20	0.7 + 0.7	8.60g/pc	145*120*65	100
Ø22	0.7 + 0.7	9.00g/pc	145*120*65	100
Ø24	0.7 + 0.8	10.10g/pc	145*120*65	100
Ø25	0.7 + 0.8	10.10g/pc	145*120*65	100
Ø26	0.7 + 0.8	10.20g/pc	145*120*100	100
Ø28	0.7 + 0.8	10.50g/pc	145*120*100	50
Ø30	0.7 + 0.8	11.11g/pc	145*120*100	50
Ø32	0.7 + 0.8	11.30g/pc	145*120*100	50
Ø34	0.7 + 0.8	12.50g/pc	145*120*100	50
Ø35	0.7 + 0.8	12.80g/pc	145*120*100	50
Ø36	0.7 + 0.8	13.00g/pc	145*120*100	50
Ø40	0.7 + 0.9	13.70g/pc	145*120*100	50
Ø42	0.7 + 0.9	14.20g/pc	145*120*100	50
Ø44	0.7 + 0.9	14.70g/pc	145*120*100	50
Ø50	0.7 + 0.9	16.40g/pc	145*120*100	25
Ø63	0.7 + 1.0	21.30g/pc	145*120*100	25



**M7 Single Clamp with Rubber**

Size	Thickness	Weight	Box Size	Q'ty/box
Ø10	0.7 + 0.7	8.60g/pc	145*120*65	100
Ø12	0.7 + 0.7	8.90g/pc	145*120*65	100
Ø14	0.7 + 0.7	9.70g/pc	145*120*65	100
Ø16	0.7 + 0.7	10.00g/pc	145*120*65	100
Ø18	0.7 + 0.7	10.31g/pc	145*120*100	100
Ø20	0.7 + 0.7	11.62g/pc	145*120*100	100
Ø22	0.7 + 0.7	11.76g/pc	145*120*100	100
Ø24	0.7 + 0.7	13.00g/pc	145*120*65	50
Ø26	0.7 + 0.8	13.00g/pc	145*120*65	50
Ø28	0.7 + 0.8	13.50g/pc	145*120*65	50
Ø30	0.7 + 0.8	15.15g/pc	145*120*100	50
Ø32	0.7 + 0.8	15.40g/pc	145*120*100	50
Ø36	0.7 + 0.8	16.45g/pc	145*120*100	50
Ø40	0.7 + 0.8	17.54g/pc	145*120*100	50



**M7 Double Clamp**

Size	Thickness	Weight	Box Size	Q'ty/box
Ø10	0.7 + 0.7	11.11g/pc	145*120*100	100
Ø12	0.7 + 0.7	11.62g/pc	145*120*100	100
Ø14	0.7 + 0.7	12.50g/pc	145*120*100	100
Ø16	0.7 + 0.7	13.00g/pc	145*120*100	100
Ø18	0.7 + 0.7	13.90g/pc	145*120*65	50
Ø20	0.7 + 0.7	14.70g/pc	145*120*100	50
Ø22	0.7 + 0.7	15.82g/pc	145*120*100	50
Ø26	0.7 + 0.7	17.50g/pc	145*120*65	25



**M7 Double Clamp with Rubber**

Size	Thickness	Weight	Box Size	Q'ty/box
Ø10	0.7 + 0.7	14.25g/pc	145*120*100	100
Ø12	0.7 + 0.7	15.15g/pc	145*120*100	100
Ø14	0.7 + 0.7	15.40g/pc	145*120*65	50
Ø16	0.7 + 0.7	17.00g/pc	145*120*100	50
Ø18	0.7 + 0.7	18.20g/pc	145*120*100	50
Ø22	0.7 + 0.7	21.30g/pc	145*120*65	25



**Spacing Flat Washers**

Size	Weight	Box Size	Q'ty/box
7*25	1.93g/pc	70*70*70	100
7*32	3.50g/pc	145*120*65	100
7*40	5.65g/pc	145*120*65	100



**Double Threaded Screw**

Size	Weight	Box Size	Q'ty/box
7*30	4.20g/pc	70*70*70	100
7*40	5.40g/pc	70*70*70	100
7*50	6.70g/pc	70*70*70	100
7*60	8.00g/pc	70*70*70	100
7*70	9.40g/pc	145*120*65	100
7*80	10.70g/pc	145*120*65	100



**Spacing Washers**

Size	Weight	Box Size	Q'ty/box
H9	2.35g/pc	70*70*70	100
H14	4.50g/pc	145*120*65	100
H19	6.45g/pc	145*120*65	100
H24	9.17g/pc	145*120*100	100
H29	12.34g/pc	145*120*100	100

**Fixing Band**

	12/17mm	17mm	25mm
DRAWING			
MATERIAL	COLD-ROLLED STEEL STRIP	COLD-ROLLED STEEL STRIP	COLD-ROLLED STEEL STRIP
SURFACE FINISHED	BLACK PLASTIC COATING	GALVANIZED	GALVANIZED
BAND DIMENSION	17MM / 12MM X 0.8MM	17MM X 0.7MM	25MM X 0.75MM
BAND TYPE	ONDULATED	ONDULATED	STRAIGHT 5 HOLES
HOLE SIZE		Ø6.5MM	Ø8.3MM / Ø4.2MM
LOADING CAPACITY		700N	700N



**Set of Air Operated Grease Gun - 6pcs.**  
Part No.--3000



**Pistol Grip Grease Gun**  
Part No.--3020



**Mini Grease Gun**  
Part No.--3000



**Top-grade Grease Gun**  
Part No.--3010



**Suction Gun**  
Part No.--3040



**Grease Nipples**



**Rubber grease hose**

## 03 EAR CLAMPS AND TOOLS

STEPLESS 1-EAR CLAMP  
STEPLESS LOW PROFILE CLAMP  
1-EAR ADJUSTABLE CLAMP  
PEX STAINLESS STEEL CRIMP RING  
EAR CLAMP JAW Pincer

## 08 REGULAR CLAMPS

GERMANY TYPE HOSE CLAMP  
GERMANY TYPE WITH PRESSING SERRATIONS BAND  
GERMANY BRIDGE CLAMP  
GERMANY DOUBLE WIRE CLAMP  
SOLID GERMANY TYPE HOSE CLAMP  
GERMANY LOCK TYPE CLAMP  
BRITISH TYPE HOSE CLAMP  
AMERICAN TYPE HOSE CLAMP  
HIGH TORQUE AMERICAN TYPE HOSE CLAMP

## 16 HIGH TORQUE CLAMPS

HIGH STRENGTH CLAMP  
DOUBLE BOLTS POWER CLAMP  
SINGLE BOLT POWER CLAMP  
V-BAND COUPLING  
HI-TORQUE STRENGTH CLAMP WITH SINGLE BOLT  
HI-TORQUE STRENGTH CLAMP WITH DOUBLE BOLTS  
T-BOLT CLAMP  
SPRING LOADED T-BOLT CLAMP

## 20 FAST LOAD CLAMPS

QUICK RELEASE HOSE CLAMP  
ENDLESS HOSE CLAMP  
HOSE CLAMP WITH BUTTERFLY  
THROBBING CLAMP  
BAND CLAMP  
STAINLESS STEEL LOCK STEEL BALL TIES

## 23 OTHER CLAMPS

SPRING CLAMP  
MINI CLAMP  
2-EAR CLAMP  
2 PARTS HOSE CLAMP  
ITALIAN TYPE HOSE CLAMP  
FIXING CLAMP  
MONO CLAMP  
DOUBLE WIRE HOSE CLAMP

## 28 CONSTRUCTION MATERIALS

THREADED ROD  
CHANNELS & COMBINATIONS  
PEDESTAL  
JOINTER  
NUTS & ANCHORS  
PIPE CLAMP  
FIXING BAND

## 35 GREASE GUNS AND NIPPLES

32-1807, TONGDA SHANGCHENG, NO.17 TAIHU ROAD,  
HEXI DISTRICT , TIANJIN, P.R.CHINA 300210  
TEL.:0086-22-28055386 28056038  
FAX.:0086-22-28055513  
EXPORT@TJCLAMP.COM  
WWW.TJCLAMP.COM

